

Our modular Big-Bag Unloading Station BBUone is optimized for dust-free operation together with vacuum conveyors. It can be used for all sorts of materials and can be customized to make poor flowing materials come out of the big bag and bring them into all sorts of process areas without any contamination of product or surrounding.

Materials

All parts/areas with product contact: AISI 316L (1.4435 or 1.4404)

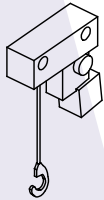
All other parts:

AISI 304 (1.4301)

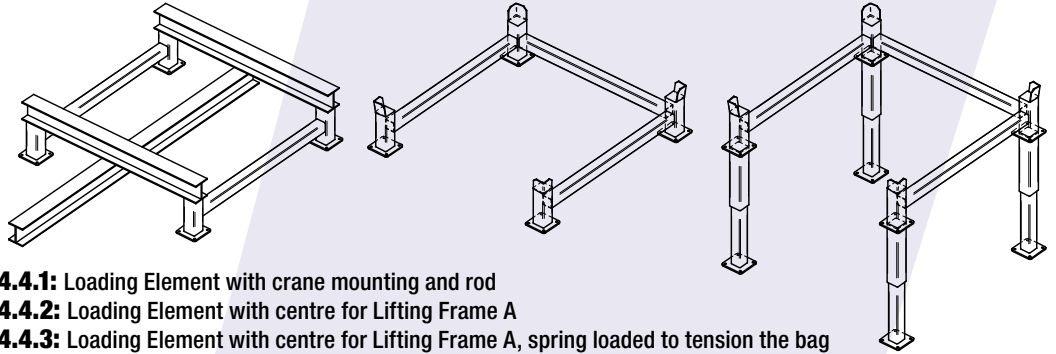
Lifting Frames:

Coated Steele

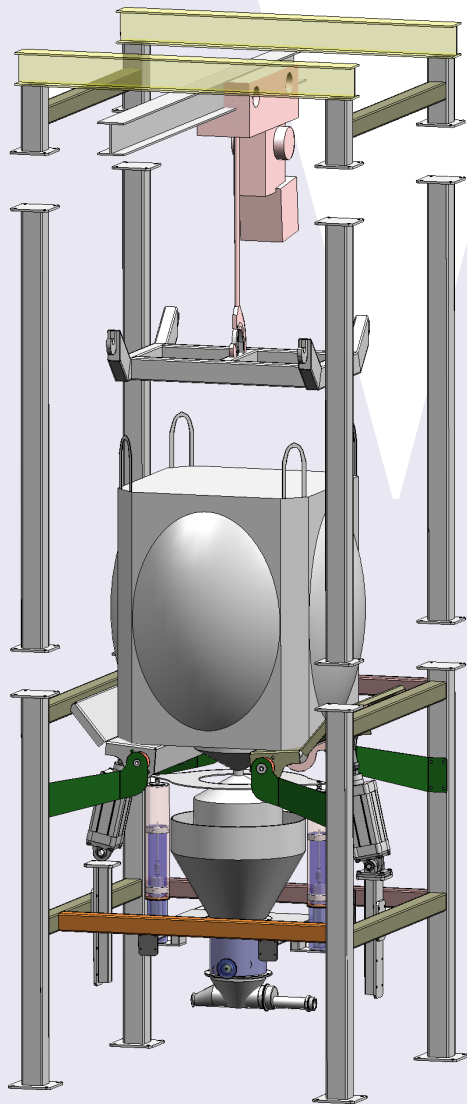
Other materials upon request.



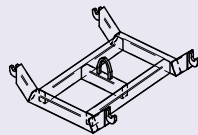
4.1.1: Electric chain winch with passive crab (0.5 t)
4.1.2: Electric chain winch with active crab (2.0 t)



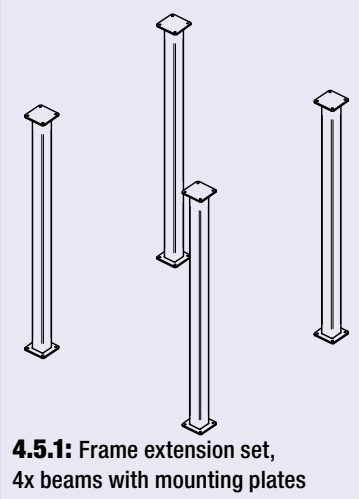
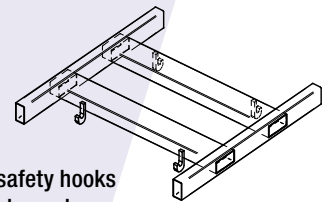
4.4.1: Loading Element with crane mounting and rod
4.4.2: Loading Element with centre for Lifting Frame A
4.4.3: Loading Element with centre for Lifting Frame A, spring loaded to tension the bag



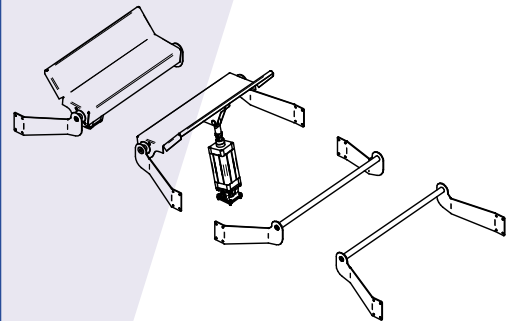
The BBUone's modular design grants a high flexibility. It can be customized with little effort to fulfil individual requirements and make it fit into production.



4.2.0: Lifting Frame with 1x Crane connection and 4x safety hooks
4.3.0: Lifting Frame with 4x safety hooks and 2x fork channels



4.5.1: Frame extension set, 4x beams with mounting plates



4.7.2: Massaging paddles (2x) with pneumatic actuators
4.7.6: Bag support rods



4.7.0: Material Discharge Module with inner tube, air filter and passive (manual) covering

4.7.1: Material Discharge Module with inner tube, air filter and active (pneum.) covering

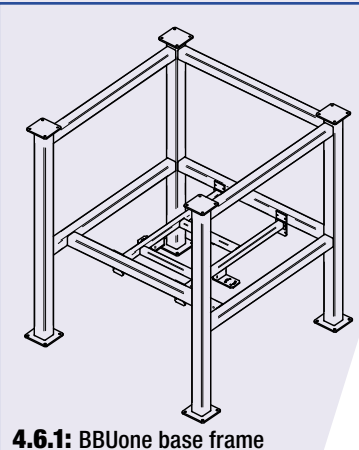


4.7.3: Material agitator w.o. grille, with feeding connector for suction line

4.7.4: Material delumper with grille, with feeding connector for suction line

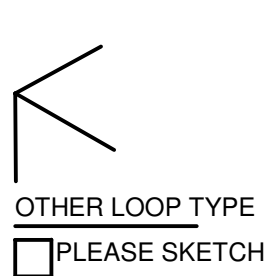
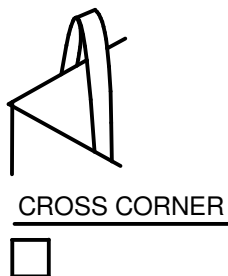
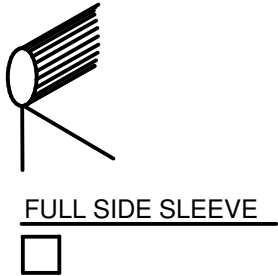
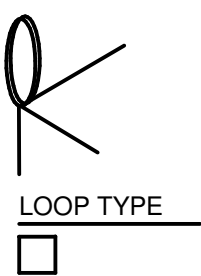
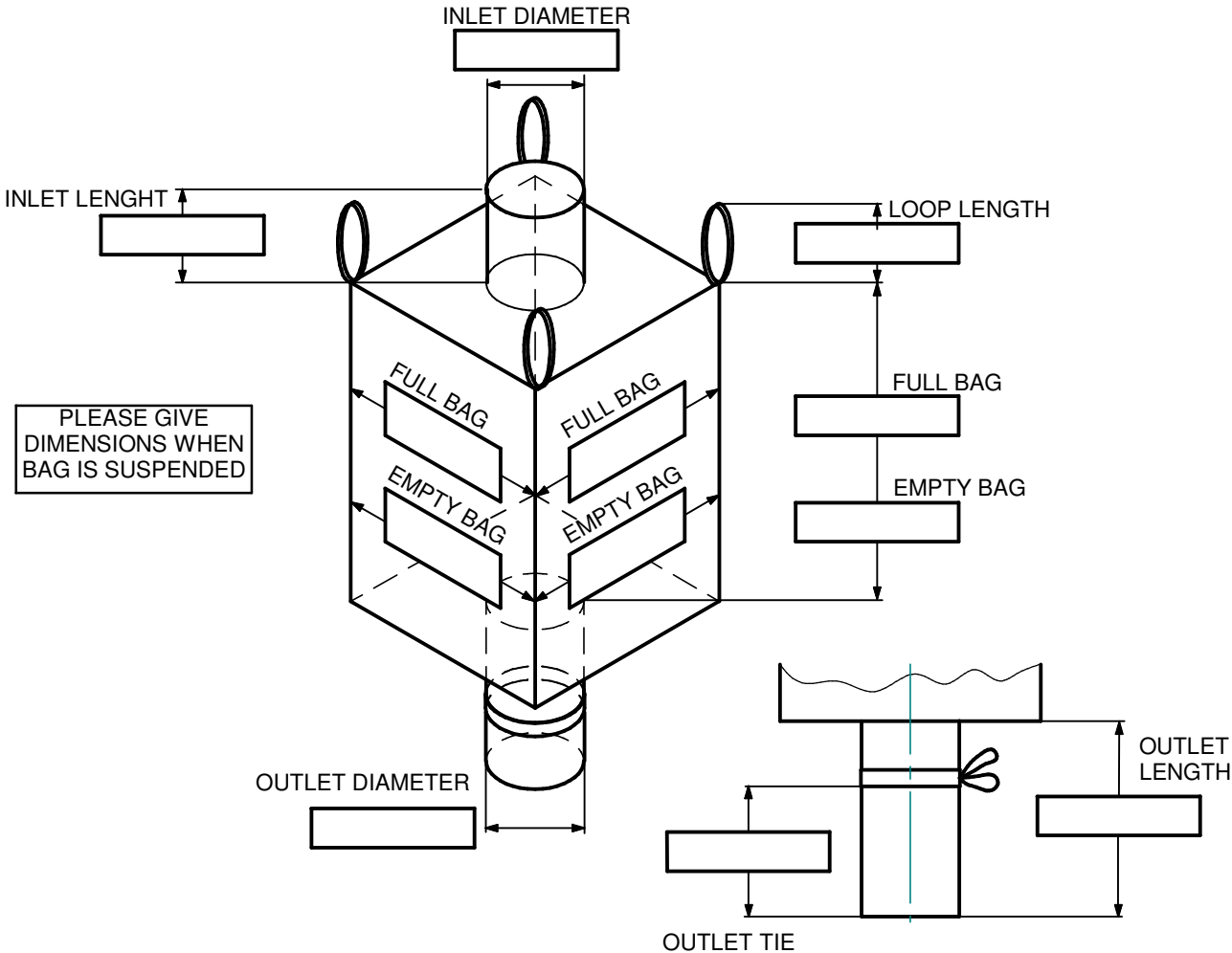


4.7.5: Feeding connector for suction line



4.6.1: BBUone base frame

Please specify your Big-Bag dimensions and material characteristics:



- FULL BULK BAG WEIGHT: _____

BULK BAG HAS INTERNAL LINER:

 LINER IS ATTACHED TO BULK

 LINER IS NOT ATTACHED TO BULK BAG

- PLEASE INDICATE IF BAG OUTLET IS OTHER THAN SHOWN

- PLEASE INDICATE PRODUCT FLOW CHARACTERISTICS:

 FLOWS FROM BAG WITHOUT HELP

 NEEDS HELP TO FLOW FROM BAG