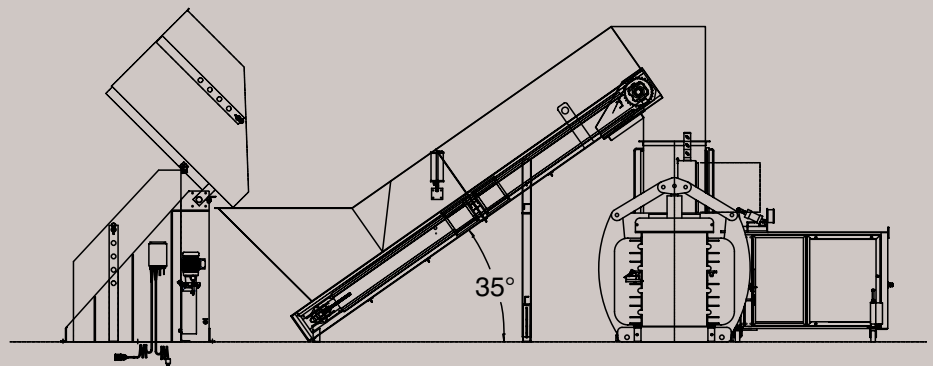
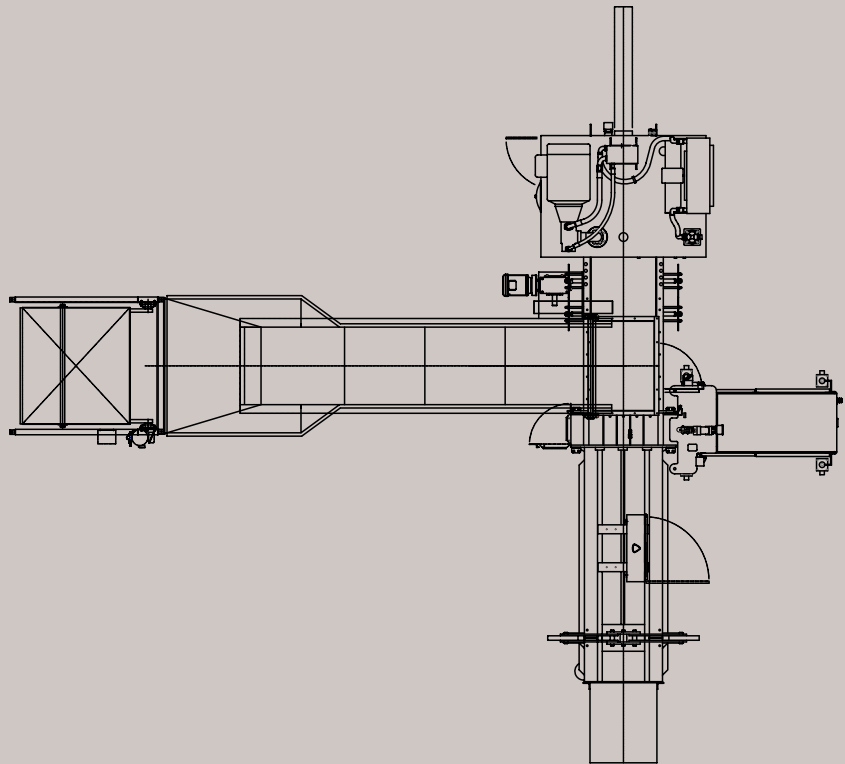




4 Pitch Steel Belt Baler Feed CONVEYOR WITH DUMPER

- Rugged Construction
- Heavy Duty Weld or Bolt On Cleats
- Flared Infeed Hopper
- Integrated with Baler
- Integrated with Dumper
- Baler Hoods
- Dump & Run Capabilities
- Color Match Available
- Controls Available



P.O. Box 205
Alpena, Michigan 49707
Fax: 989-358-7065
Phone: 800-356-1593
www.endura-veyor.com