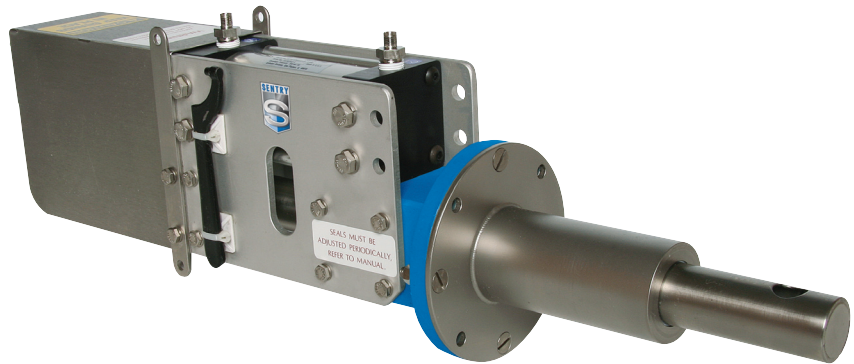




*The
Sampling
Connection*



MODEL RX AUTOMATIC SAMPLER

Automatically Samples Free-Flowing Materials and Slurries

Features

- Compact and low maintenance
- No moving parts in conveyance of sample to container; keeps consistent product characteristics
- 316 stainless steel construction of material-contact surfaces
- Versatile installation in drop chutes, bins, hoppers, pipes or air slides

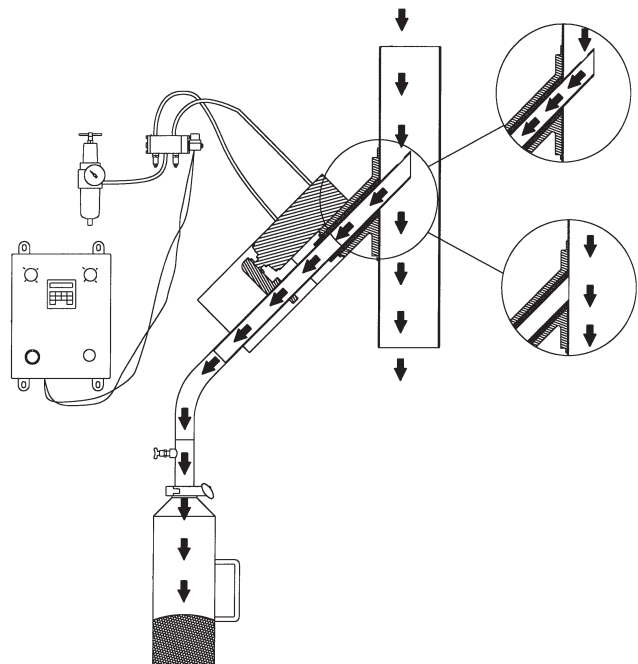
Options

- Custom mounting adapters for round, square or other-shaped chutes or bins
- Special hardened construction materials or special coated contact parts available

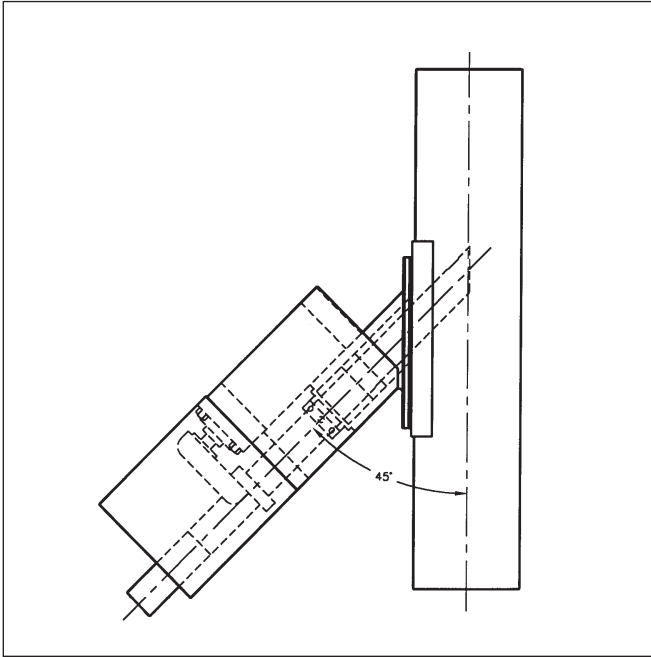
Description

The Model RX sampler is designed for automatic strip sampling of materials such as free-flowing powders, granules, pellets, grain and seed. Samples can be drawn from positive or negative, horizontal or vertical dilute-phase pneumatic conveying systems as well as bins, gravity spouts or hoppers.

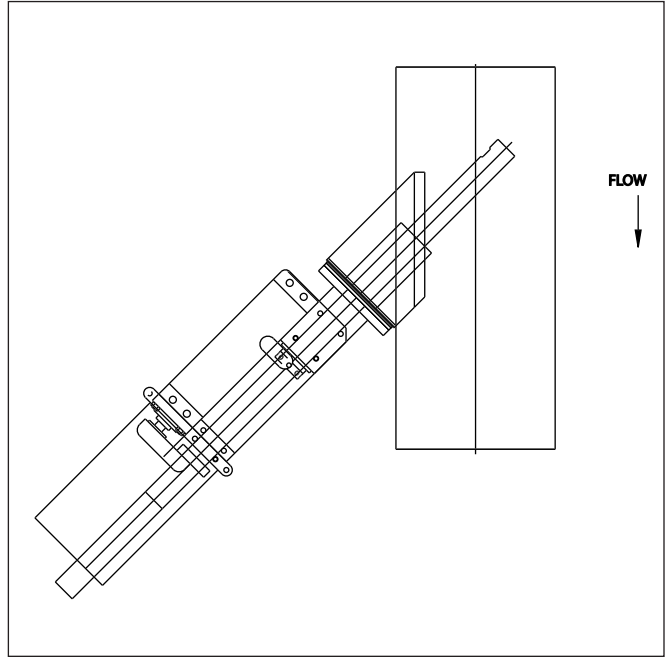
The Model RX features a solenoid operated air cylinder. The air cylinder extends the sample tube into the process line. While in line, the tube is continually taking sample and discharging it to the collection point.



MODEL RX TECHNICAL DATA



RX 45



RX 90

SPECIFICATIONS

Basic Electrical Requirements	115 VAC, single phase, 60 Hz
Air Requirements	60 psi minimum
Quantity of Sample	determined by flow rate, aperture size and time in line
Suggested Discharge Connection	flexible plastic tubing to a collection container included
Materials of Construction	aluminum housing; 316 stainless steel tube; Teflon® seals
Control Package	control meets NEMA 4X classification and allows for fully automatic sampling; custom and NEMA 7, 9 applications upon request

WARNING

It is solely the responsibility of the end-user, through its own analysis and testing, to select products and materials suitable for their specific application requirements, ensure they are properly installed, safely applied, properly maintained, and limit their use to their intended purpose. Improper selection, installation, or use may result in personal injury or property damage.



SENTRY EQUIPMENT CORP

PO Box 127
Oconomowoc, WI 53066 USA
Phone: 262-567-7256
Fax: 262-567-4523

E-mail:
sales@sentry-equip.com

Website:
www.sentry-equip.com

For further information, contact: