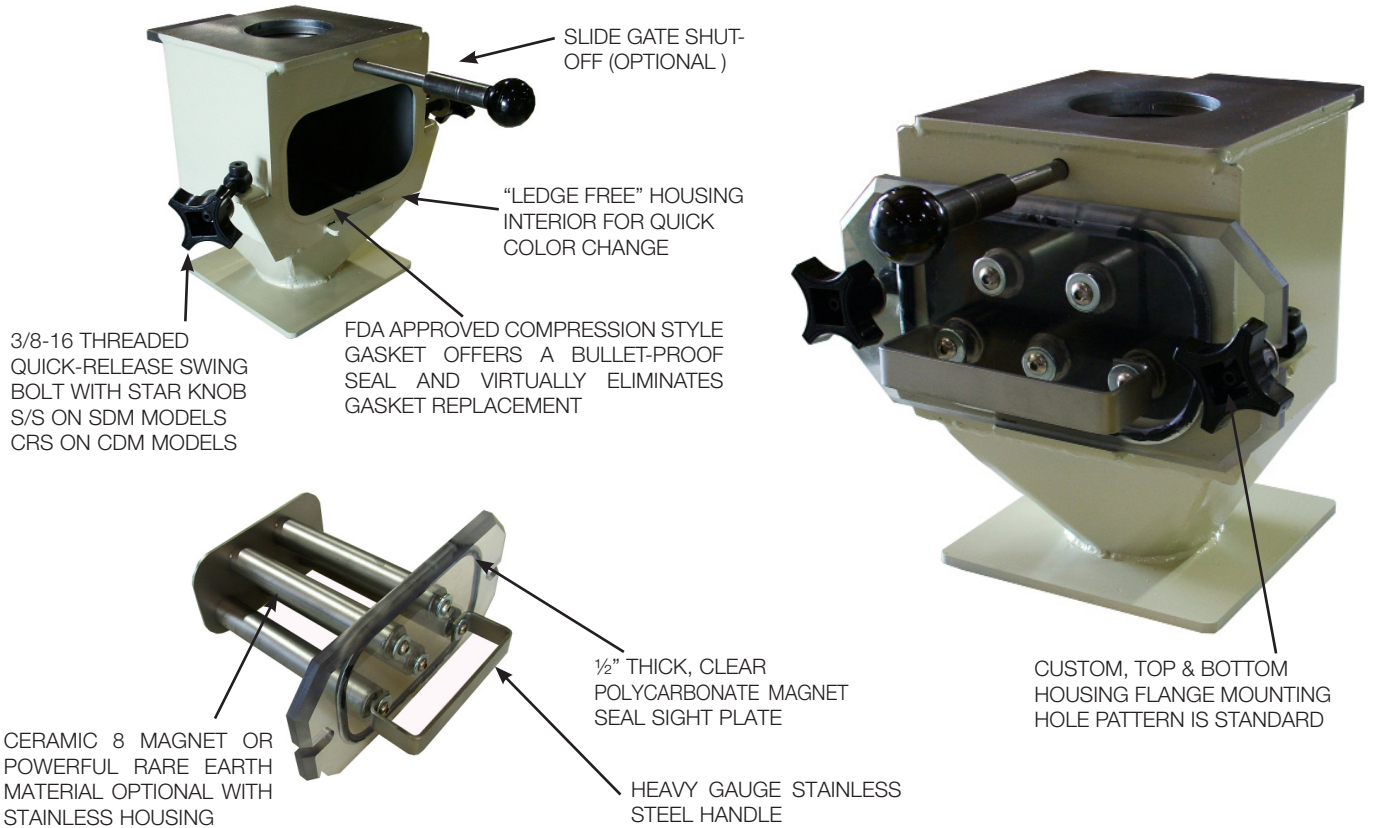




Carbon or Stainless Steel Drawer Magnet

Series: CDM or SDM



Application

MPI's Drawer Magnets are designed to provide optimum tramp metal protection for plastic injection molding and extruding equipment. Carbon Steel and Stainless Steel Drawer Magnets provide an economical solution which provides many benefits and features not found in comparable products. CDM and SDM Drawer Magnets are ideal for use with plastic regrind materials, which may contain higher amounts of tramp metal. Use of MPI's heavy-duty CDM or SDM Drawer Magnets can reduce equipment maintenance, prevent equipment damage, and increase quality parts production.

Operation

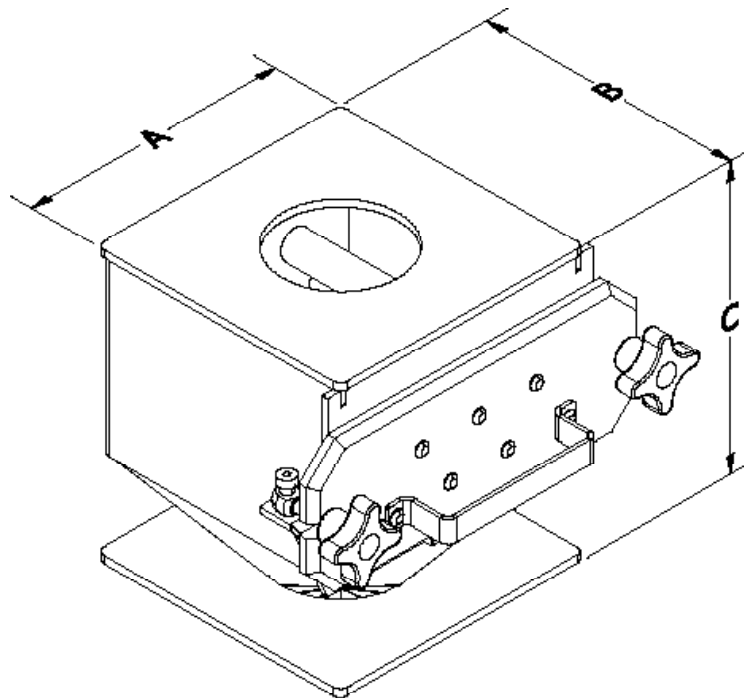
CDM and SDM Drawer Magnets are installed between feed hopper and machine throat openings, providing constant magnetic protection. Both resin flow and contaminant collection can be easily monitored through the clear polycarbonate drawer face. Magnet cleaning is accomplished by loosening the quick-release swing-bolt latches and removing the magnet drawer, which can be cleaned of captured ferrous tramp metal.

**Specifications subject to change*

Series CDM / SDM Version 2.0 © MPI

MPI

683 Town Center Drive, Highland, MI 48356 | p. 800.544.5930 | f. 248.887.6100
info@mpimagnet.com | www.mpimagnet.com



CDM / SDM Selection Guide

Model #	Width A		Length B		Height C		# Magnetic Tubes	Minimum Diameter D		Maximum Diameter D		Unit Weight*	
	IN	MM	IN	MM	IN	MM		IN	MM	IN	MM	LBS	KG
CDM-44	4.375	143	4.375	143	9.5	241	3	1.38	35	3	76	34	16
CDM-66	6.375	194	6.375	194	9.5	241	5	2	51	3.5	89	48	22
CDM-88	8.375	244	8.375	244	9.5	241	7	3.5	89	4.5	114	64	29
CDM-1010	10.375	292	10.375	292	9.5	241	9	4.625	118	6.5	165	68	31

* Unit weight does not include any add-on options.

Standard Features

- Powerful Ceramic 8 permanent magnetic material
- 1/2" thick clear polycarbonate drawer face for easy inspection
- Two rows of 1" dia. magnet tubes on 2" centers to maximize magnetic filtration
- Interior housing wall product flow diverters
- Pre-drilled or tapped holes for easy installation
- Heavy-duty 3/8-16 threaded quick-release swing bolt latches with large star knob for easy operation during maintenance
- FDA approved compression style gasket offers a bullet-proof seal and virtually eliminates gasket replacement

Options

- Slide gate product shut-off
- Purge hopper
- Liquid dispensing system
- Extended top and bottom flanges
- Custom paint finishes
- Low-profile designs for restricted areas

*Specifications subject to change

Series CDM or SDM Version 2.0 © MPI

MPI

683 Town Center Drive, Highland, MI 48356 | p. 800.544.5930 | f. 248.887.6100
 info@mpimagnet.com | www.mpimagnet.com