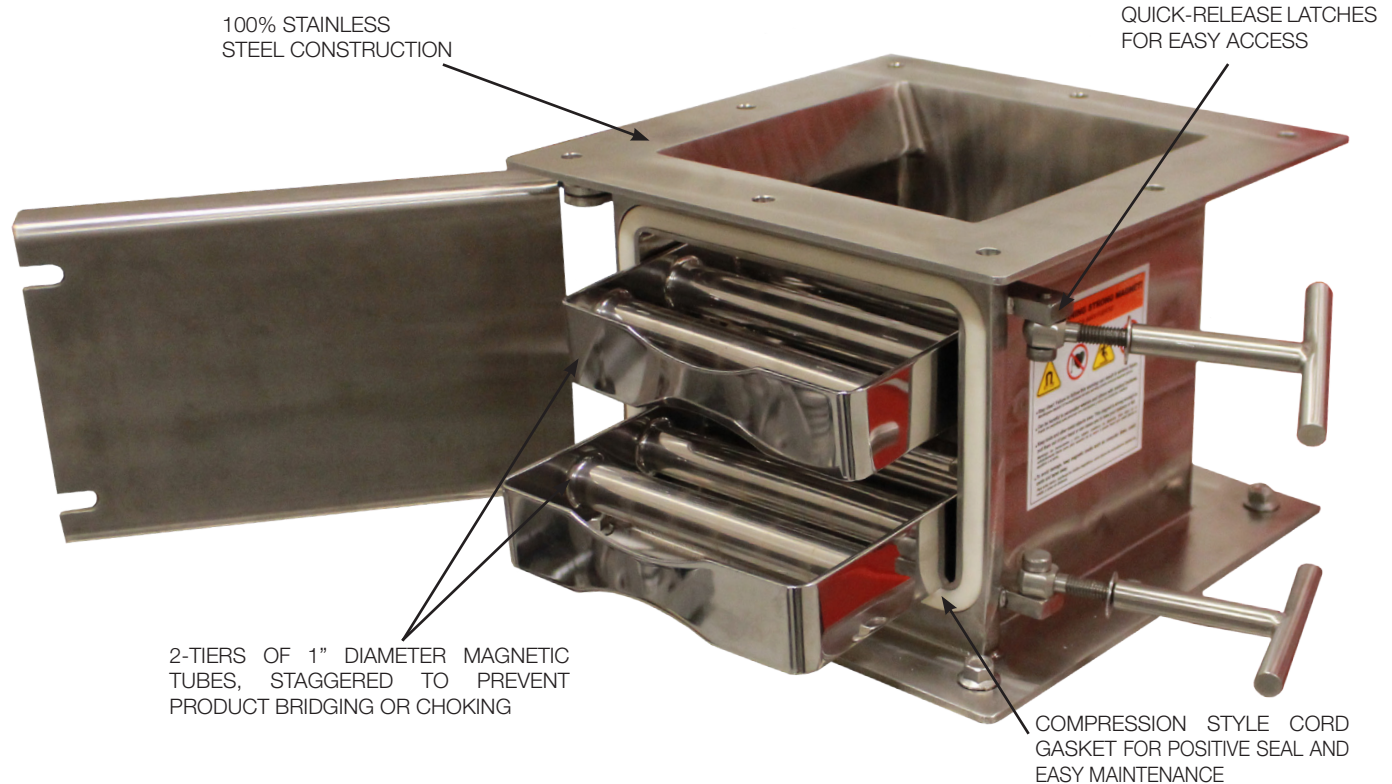




# 200 Series Drawer Magnet and Housing

Series: DM-200



## Application

MPI's Magnetic Drawer and Housings are designed to remove medium and small size ferrous tramp metal contaminants from dry, granular free-flowing product streams in gravity-fed vertical chutes. DM-200 Series Magnetic Drawer and Housings protect processing equipment, such as milling, extruding and mixing machinery, while providing higher product quality.

## Operation

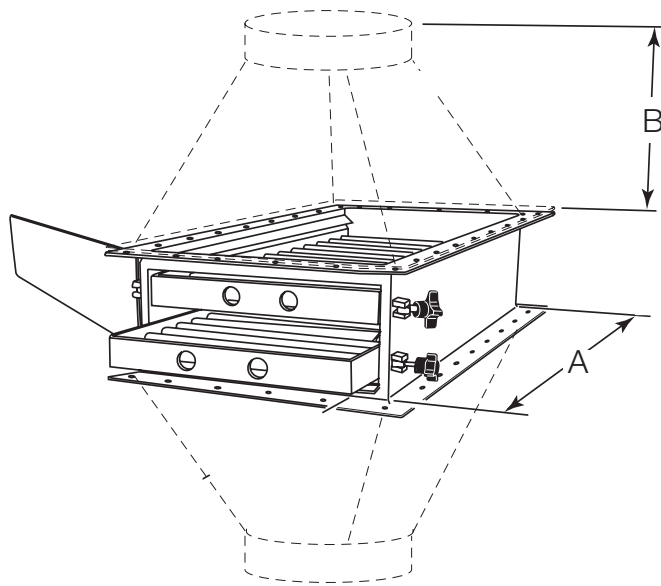
The product stream flows through two tiers of 1" diameter magnetic tubes designed to create an extremely effective magnetic circuit. The two rows of magnetic tubes are staggered to prevent bridging or choking of the product stream and maximize magnetic filtration as product flows through the housing. Tramp metal contaminants move to the underside of the magnetic tubes, eliminating tramp metal "wash-off." After terminating the product flow, the hinged door can be quickly unlatched and opened to allow quick removal and cleaning of each magnetic drawer.

*\*Specifications subject to change*

Series DM-200 Version 2.0 © MPI

**MPI**

683 Town Center Drive, Highland, MI 48356 | p. 800.544.5930 | f. 248.887.6100  
info@mpimagnet.com | www.mpimagnet.com



## DM-200 Selection Guide

MODEL NUMBER	MAGNET PRODUCT FLOW OPENING AREA A		ADAPTER FLANGE HEIGHT (OPTIONAL) B		NUMBER OF MAGNETIC TUBES	APPROX. UNIT WEIGHT	
	IN.	CM	IN.	CM		LBS.	KG
DM-208	8 <sup>2</sup>	20 <sup>2</sup>	4.0	102	7	42	19
DM-210	10 <sup>2</sup>	25 <sup>2</sup>	4.0	102	9	55	25
DM-212	12 <sup>2</sup>	31 <sup>2</sup>	4.0	102	11	70	32
DM-214	14 <sup>2</sup>	36 <sup>2</sup>	4.5	114	13	85	39
DM-216	16 <sup>2</sup>	41 <sup>2</sup>	5.0	127	15	103	47
DM-218	18 <sup>2</sup>	46 <sup>2</sup>	5.0	127	17	123	56
DM-220	20 <sup>2</sup>	51 <sup>2</sup>	5.5	140	19	145	66
DM-222	22 <sup>2</sup>	56 <sup>2</sup>	6.0	152	21	167	76
DM-224	24 <sup>2</sup>	61 <sup>2</sup>	6.0	125	23	190	86
DM-226	26 <sup>2</sup>	66 <sup>2</sup>	6.5	165	25	215	98
DM-228	28 <sup>2</sup>	71 <sup>2</sup>	7.0	178	27	245	111
DM-230	30 <sup>2</sup>	76 <sup>2</sup>	7.0	178	29	273	124
DM-236	36 <sup>2</sup>	91 <sup>2</sup>	8.0	203	35	320	145

### Standard Features

- Ceramic 8 permanent magnet material
- 100% Stainless Steel Construction
- Two rows of seam-welded 1" diameter magnetic tubes on 2" centers

### Options

- Multi-tier configurations
- Rare earth magnet material
- Custom magnetic tube spacing
- Manual quick-clean or automatic self-clean
- Pre-drilled companion flanges for easy installation

*\*Specifications subject to change*

Series DM-200 Version 2.0 © MPI

**MPI**

683 Town Center Drive, Highland, MI 48356 | p. 800.544.5930 | f. 248.887.6100  
 info@mpimagnet.com | www.mpimagnet.com