

# Panda

## Rotary Lobe Vacuum Booster WZ 2000 A



**Higher pumping speed** and improved ultimate pressure: Panda WZ rotary lobe vacuum boosters increase the performance of your vacuum system, making it more efficient and economical. Panda WZ rotary lobe vacuum boosters can be designed to perfectly suit all medium and high vacuum applications in which the performance of the backing pump needs to be drastically increased or optimally adapted to the process. The Panda WZ 2000 A is the largest rotary lobe vacuum booster in this series.

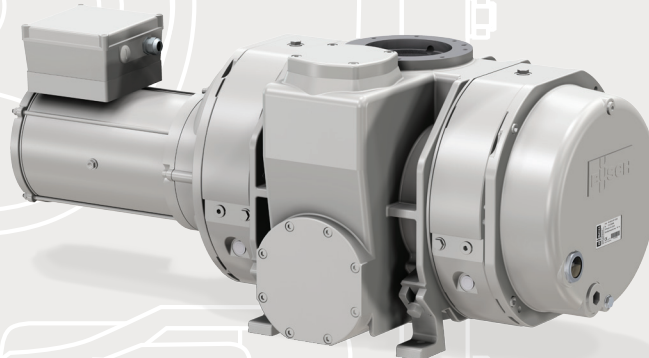
Panda WZ rotary lobe vacuum boosters are perfect booster pumps for COBRA screw vacuum pumps and other backing pumps. They are excellently suited to pump aggressive or toxic gases through a water-cooled canned motor, which is fitted as standard. The lack of movement or vibration enables an absolute leak-tightness to the atmosphere.

Due to the integrated bypass valve, Panda WZ rotary lobe vacuum boosters achieve a high pumping speed even on rough vacuum applications. It reliably protects pump and motor against overloading, and allows the Panda WZ to be switched on together with the backing pump even at atmospheric pressure. A process-related, sudden pressure increase due to a greater gas flow can be easily pumped out by the bypass valve in continuous operation.

Panda WZ rotary lobe vacuum boosters can be flanged directly onto the backing pump or at any other position on the system.



**Panda – the economical  
performance optimizer.**



Panda WZ 2000 A

# Panda

## Rotary Lobe Vacuum Booster WZ 2000 A

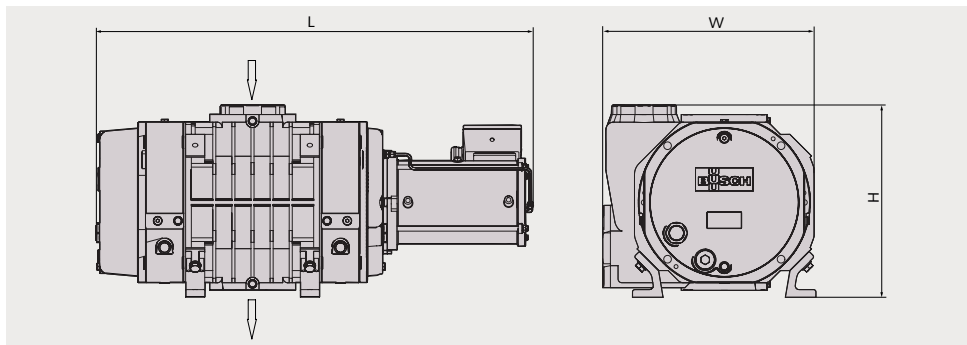


### Technical specifications

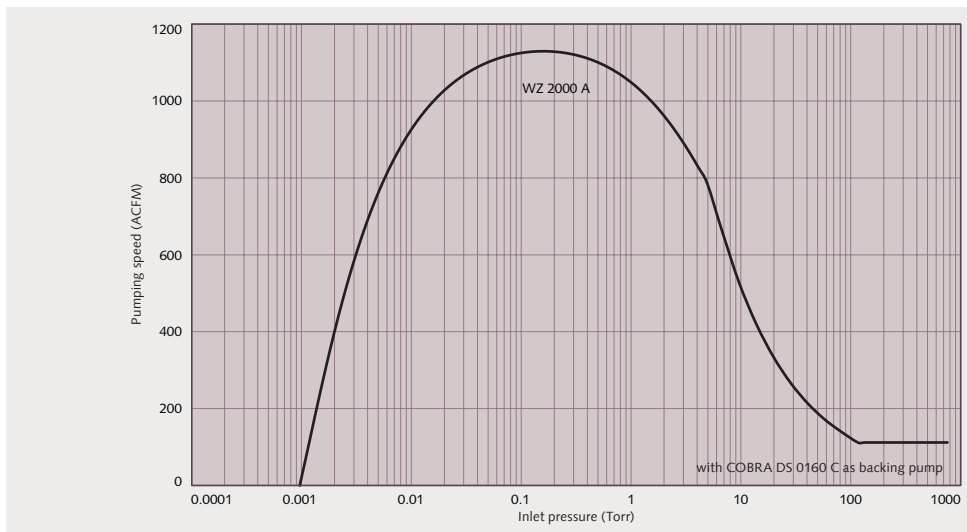
Within the housing of Panda WZ rotary lobe vacuum boosters, two lobes rotate synchronously. Due to the special profile of the rotating lobes and their precise manufacturing, they do not come into contact with each other or the housing. This allows for pumping without any operating fluids. The synchronous rotation of the two lobes is driven by a pair of gear wheels located on the shaft ends in the gearbox, and separated from the compression chamber. The integrated bypass valve, which comes standard, enables operation around atmospheric pressure or at low vacuum without the need for a special controller.

In combination with a COBRA screw vacuum pump that is also driven by a canned motor, Panda WZ rotary lobe vacuum boosters are used in many applications in the semiconductor industry, in the manufacture of photovoltaic modules and flat-screen displays, and in silicon production and surface treatment.

### Panda WZ 2000 A



### Pumping speed Air at 70 °F. Tolerance: ± 10%



Technical Data		WZ 2000 A
Nominal displacement	CFM	1500
Maximum pumping speed	ACFM	1130
Maximum pressure differential	Torr	32
Nominal motor rating	kW (HP)	6.6 (8.9)
Nominal motor speed	RPM	3600
Approximate weight	Lbs.	1125
Dimensions (L x W x H)	inches	42 1/8 x 21 7/8 x 19 7/8
Gas inlet / outlet	ISO-K	DN 160 / DN 160

All performance data is based on ambient conditions of 14.7 PSIA and 70 °F, and has a tolerance of ± 10%.

### Busch LLC

516 Viking Drive | Virginia Beach, VA 23452 | Phone 757-463-7800 | marketing@buschusa.com | [www.buschusa.com](http://www.buschusa.com)

Argentina Australia Austria Belgium Brazil Canada Chile China Czech Republic Denmark Finland France Germany Hungary India Ireland Israel Italy Japan Korea Malaysia Mexico New Zealand Netherlands Norway Poland Portugal Russia Singapore South Africa Spain Sweden Switzerland Taiwan Thailand Turkey United Arab Emirates United Kingdom USA

Technical data is subject to change. Created in Germany 05/N