

Magnetic Slide Conveyor

ENDURA
-VEYOR
INC.



Transport ferrous materials

No moving external parts

**Submersible watertight
construction**

No need to replace belting

Permanent magnets

Jam free operation

**Designed and Constructed for
Years of Smooth, Quiet Operation**

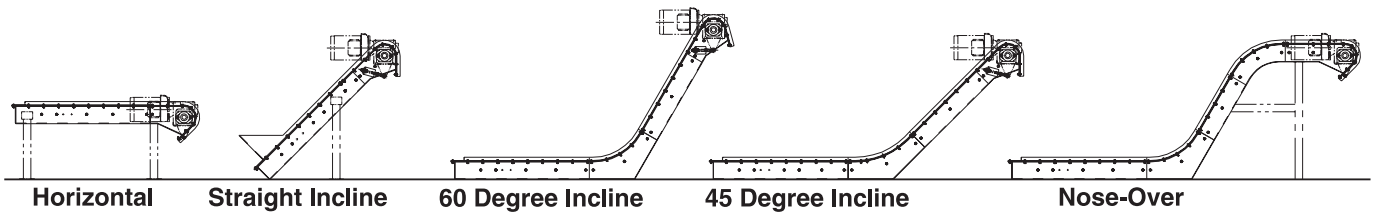
* Quantity available for shipment is contingent upon quantity in stock at time of sale.

Medium Duty Magnetic Slide Conveyor

The ENDURA-VEYOR INC. MAGNETIC SLIDE CONVEYOR features an oil-filled UHMW chain guide which requires no lubrication, a watertight submersible frame, an automatic die spring take-up device, a 12 gauge 304 stainless steel bed, a

No. 50 heavy-duty oversized roller chain and powerful ceramic no. 8 magnet assemblies enclosed in stainless steel. This conveyor has no external moving parts (except for the drive), is easily installed and is virtually maintenance free!

Typical Conveyor Styles and Configurations



STANDARD SPECIFICATIONS

Frame Widths: 8", 10", 12", 14", 16" & 18"

Frame Height: 4-3/4"

Slider Bed: 12 ga. 304 stainless steel

Sideguides: 1" tall

Magnets: Ceramic no. 8 permanent magnets on 12-1/2" centers (optional spacing on 1-1/4" increments)

Frame Construction: Watertight 11 ga. steel

Inclined Angles: 45° and 60° degrees

Chain Guides: UHMW oil-filled

Chain: No. 50 heavy-duty oversized roller chain

Drive: Shaft mounted reducer with 3 phase, 230/460 volt motor
Standard options include:

1/4 hp @ 25 FPM

1/2 hp @ 50 FPM

3/4 hp @ 80 FPM

OPTIONAL EQUIPMENT

Rigidized Slider Beds

Discharge Chutes

Impact Plates

Start/Stop Controls

Emergency Stops

Hoppers & Special Height Sideguides

Extra Strength Rare Earth Magnets

High-temperature Oil-filled Frames

Casters

Lifting Lugs

Special Paint

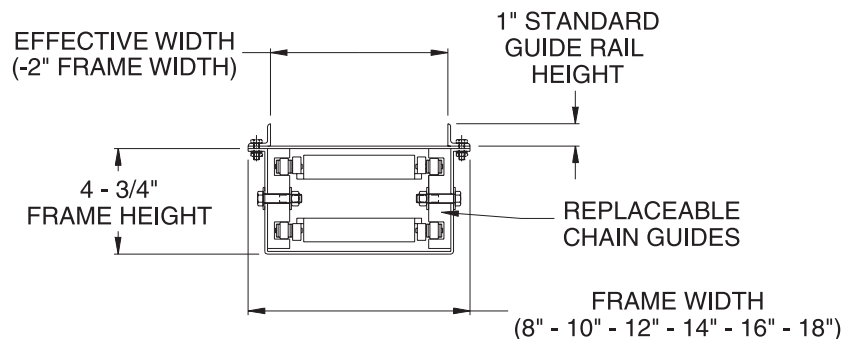
High Temperature Chain Guides

Leg Supports

Special Incline Angles

De-magnetizer

110/230 Single Phase



Typical cross-section

* Quantity available for shipment is contingent upon quantity in stock at time of sale.



P.O. Box 205 • Alpena, MI 49707 • fax (989) 358-7065 • voice (800) 356-1593

Visit us on the world wide web: www.endura-veyor.com

111199-10000-0203 Specifications subject to change without notice.