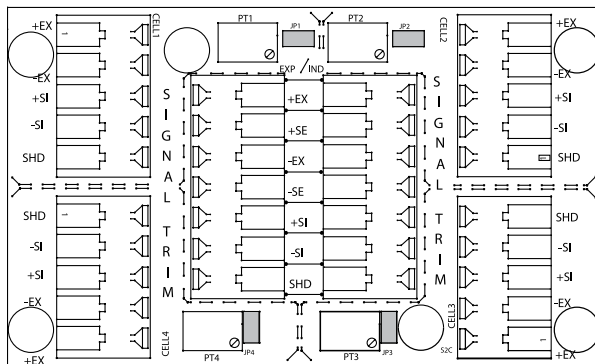
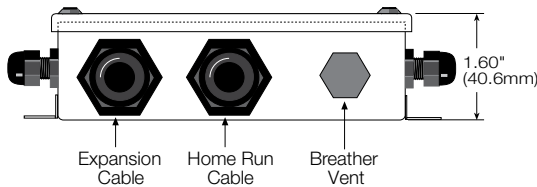
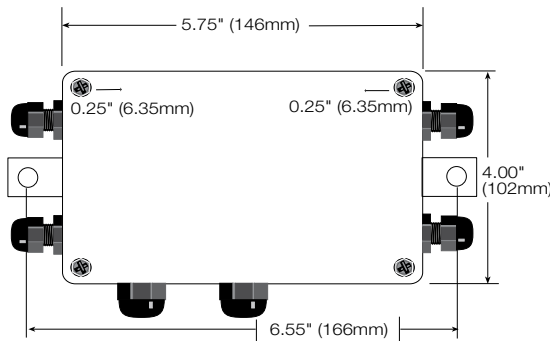


Junction Boxes/Simulators

JB4SS

TuffSeal® Signal Trim Junction Box

Junction Boxes



APPLICATIONS:

Floor, tank, hopper scales

STANDARD FEATURES:

- Stainless steel, NEMA 4X enclosure
- Shunt jumpers to disable a load cell
- Prevent™ breather vent
- Conformal coated circuit board
- Number of cells: 2 to 4 single cells
- Expansion port

SPECIFICATIONS:

- Cable Fittings:** (4) PG7 0.118-0.255 strain relief
(2) PG11 0.197-0.394 strain relief
(1) Prevent™ breather vent
- Enclosure:** Stainless Steel NEMA 4X
- Connectors:** Spring clamp screwless, 12-28 AWG
- Trimming:** Individual cell, signal trim, ranges zero trim
12.49k-100k ohms with 2.49k ohms isolation resistors
- Potentiometers:** 100k ohm, 25 turn cermet
- Circuit Board:** 3.8" x 2.3" (96.5mm x 58.4mm), with conformal coating
- Warranty:** One-year limited warranty

JB4SS Order Information

Part#	Description	Price
88956	JB4SS signal trim junction box	Consult
88958	Board only	Consult