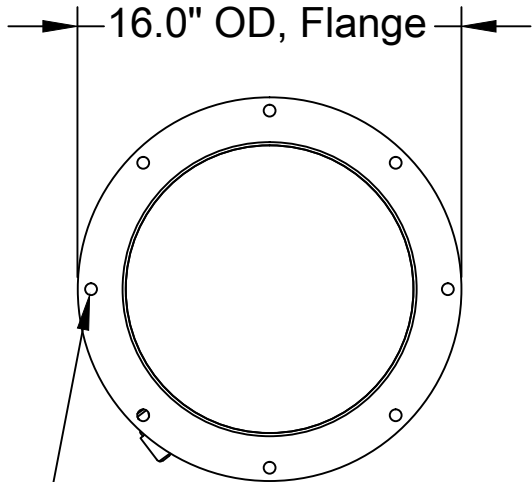
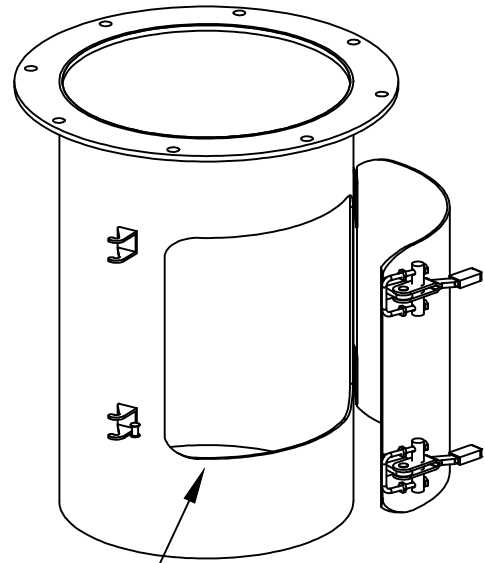


DATA SHEET

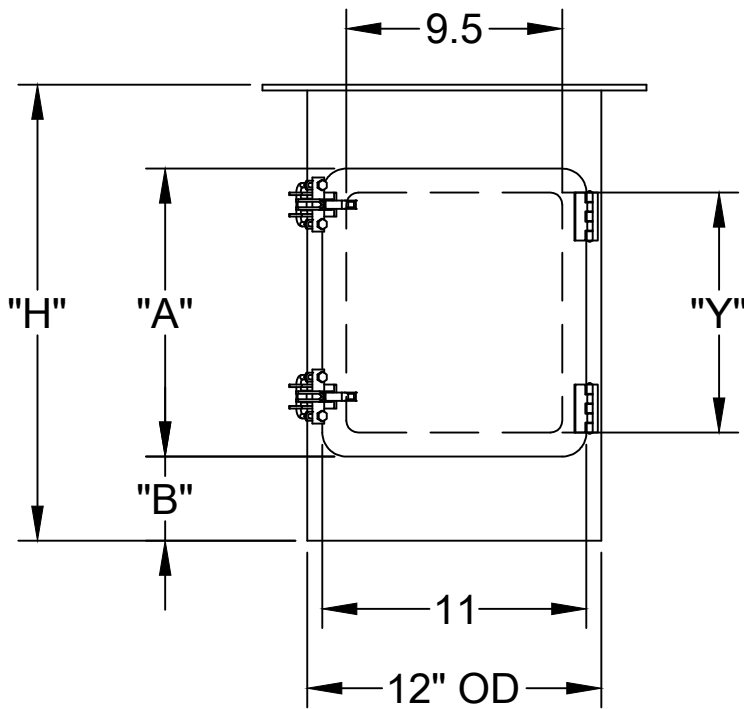
FormPak 12" Diameter Access Box



1/2" Diameter holes, 8 places,
evenly spaced on a 14 7/8"
diameter Bolt Circle.



Seal not shown



FomPak P/N	"A"	"B"	"H"	"Y"	Weight	Material/finish
000035	10"	2.75"	15"	8"	24.0 lbs	CarbonSteel/Enamel
000035SS			15"			304 Stainless Steel
000038	12"	3.5"	19"	10"	30.0 lbs	CarbonSteel/Enamel
000038SS			19"			304 Stainless Steel
000069	12"	53.5"	69"	10"	71.0 lbs	CarbonSteel/Enamel
000069SS			69"			304 Stainless Steel
000153	7"	2.5"	10.75"	6"	21.0 lbs	CarbonSteel/Enamel
000153SS			10.75"			304 Stainless Steel

FormPak, Inc.

Meeting Your Materials Handling Needs Since 1968