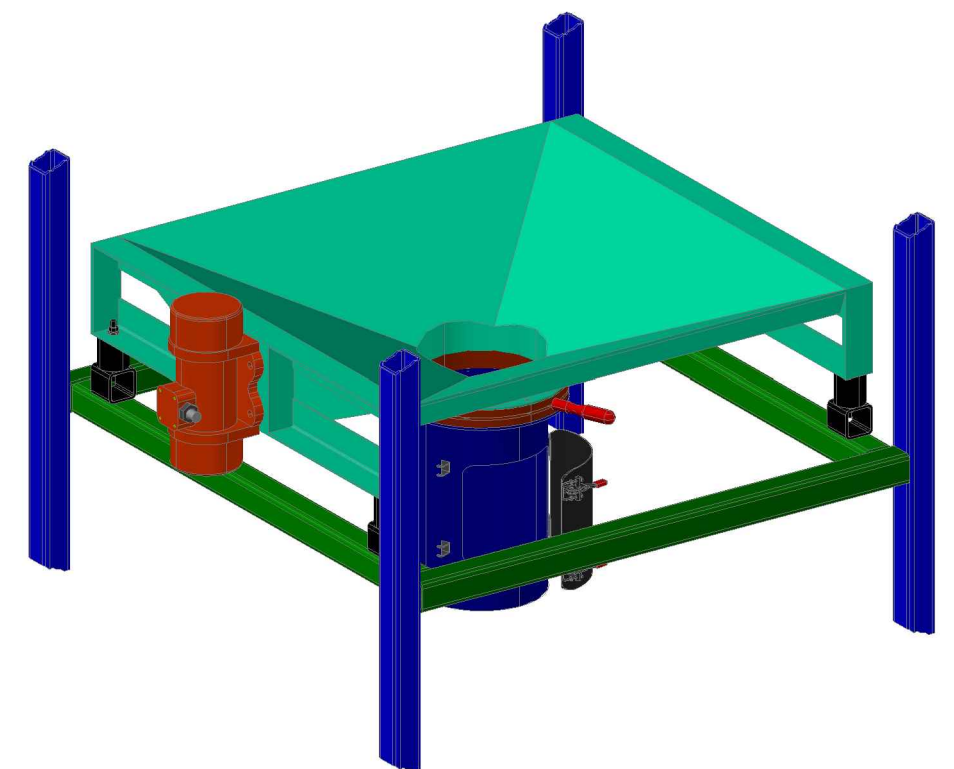


FormPak  
54"x48"x9" Hopper  
Receiver Pan is 48"x48"

Iris Valve (Optional)

Isolators

Underlined items make up the core of the Retrofit Kit.



Size <b>B</b>	 Meeting Your Materials Handling Needs Since 1968	Date	16May2012	Revision	<b>A</b>
		Scale	1/16	Sheet No.	
Drawing Name	FormPak Standard Retrofit Kit with Access Box and Optional Iris Valve		Drawing Number	000551	