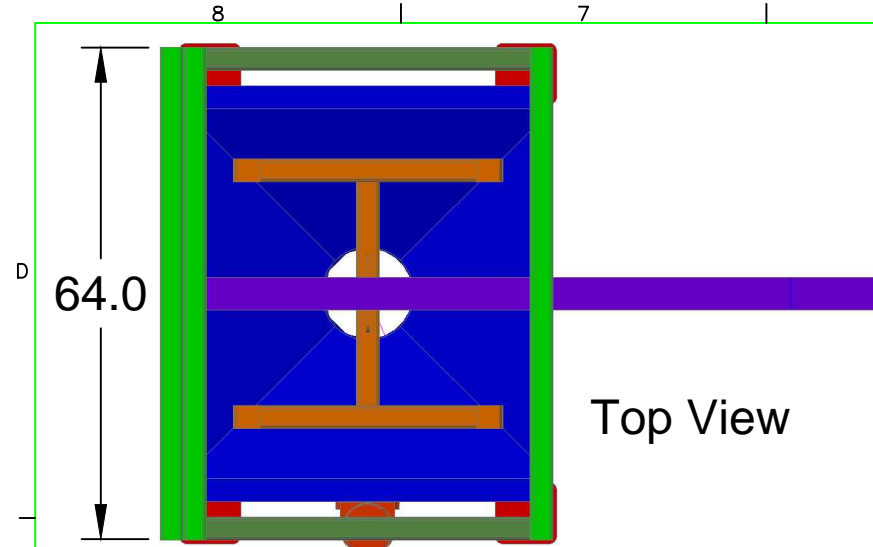
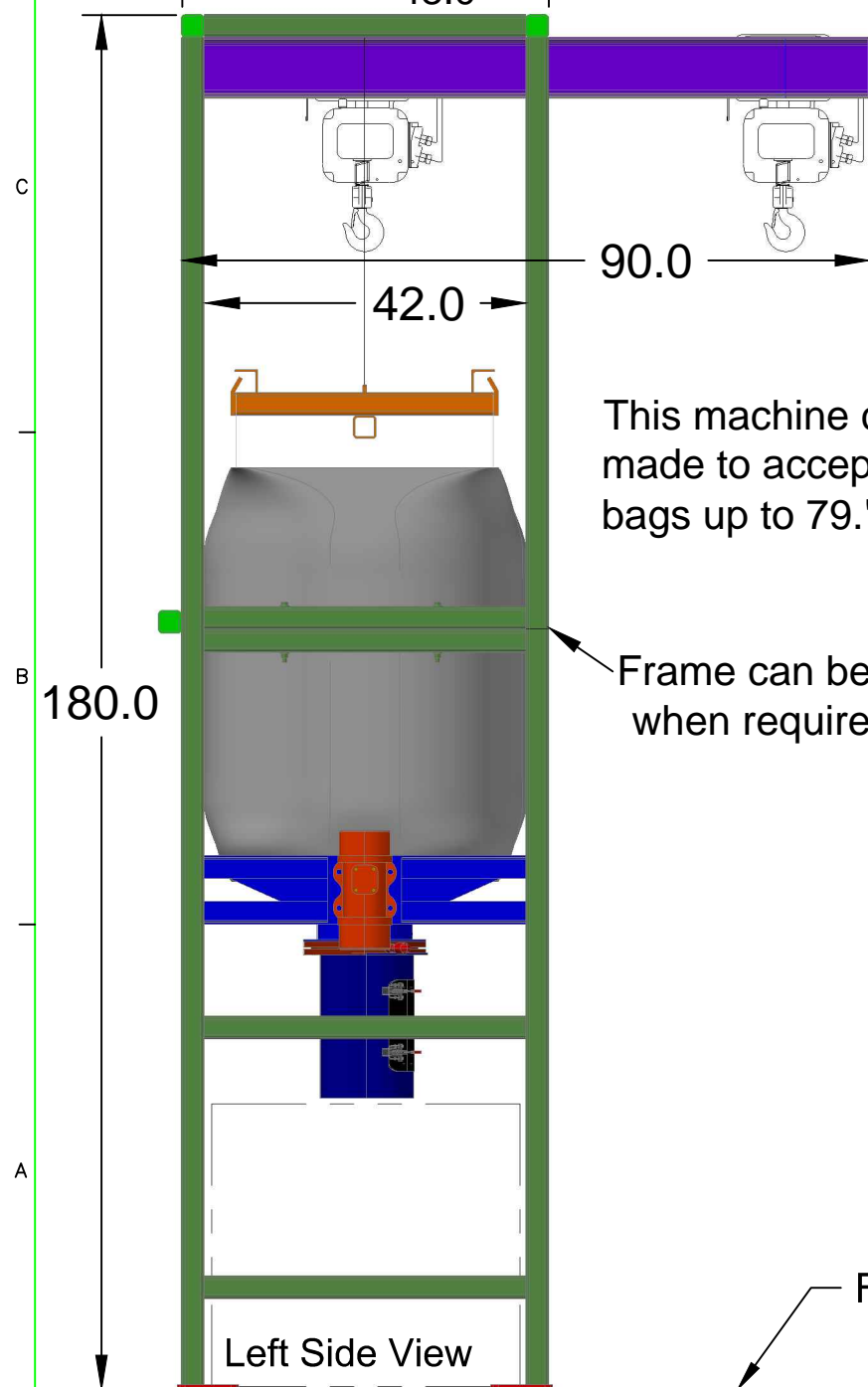


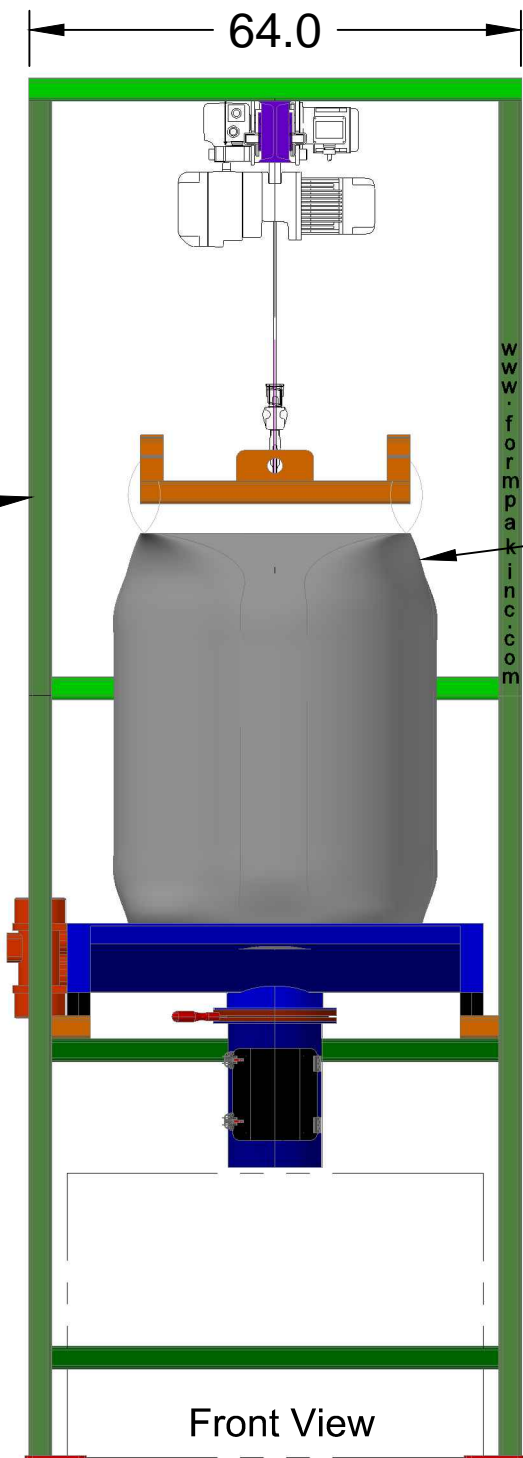
Item#	Qty	Description	Comments
1	1	Frame, Main	Height to customer requirement.
2	1	Two-ton Hoist	Can raise almost any bulk bag.
3	1	BagLift Crane Adapter	Formpak PN 100-CA.
4	1	Hopper, Bag Gyrator	Can be plain or stainless steel.
5	1	Gyrator Motor	Air-powered or electric motor.
6	4	Isolators	Shock Mounts.
7	1	Iris Valve	Our most popular option.
8	1	Access Box	Can be plain or stainless steel.



Top View



Left Side View

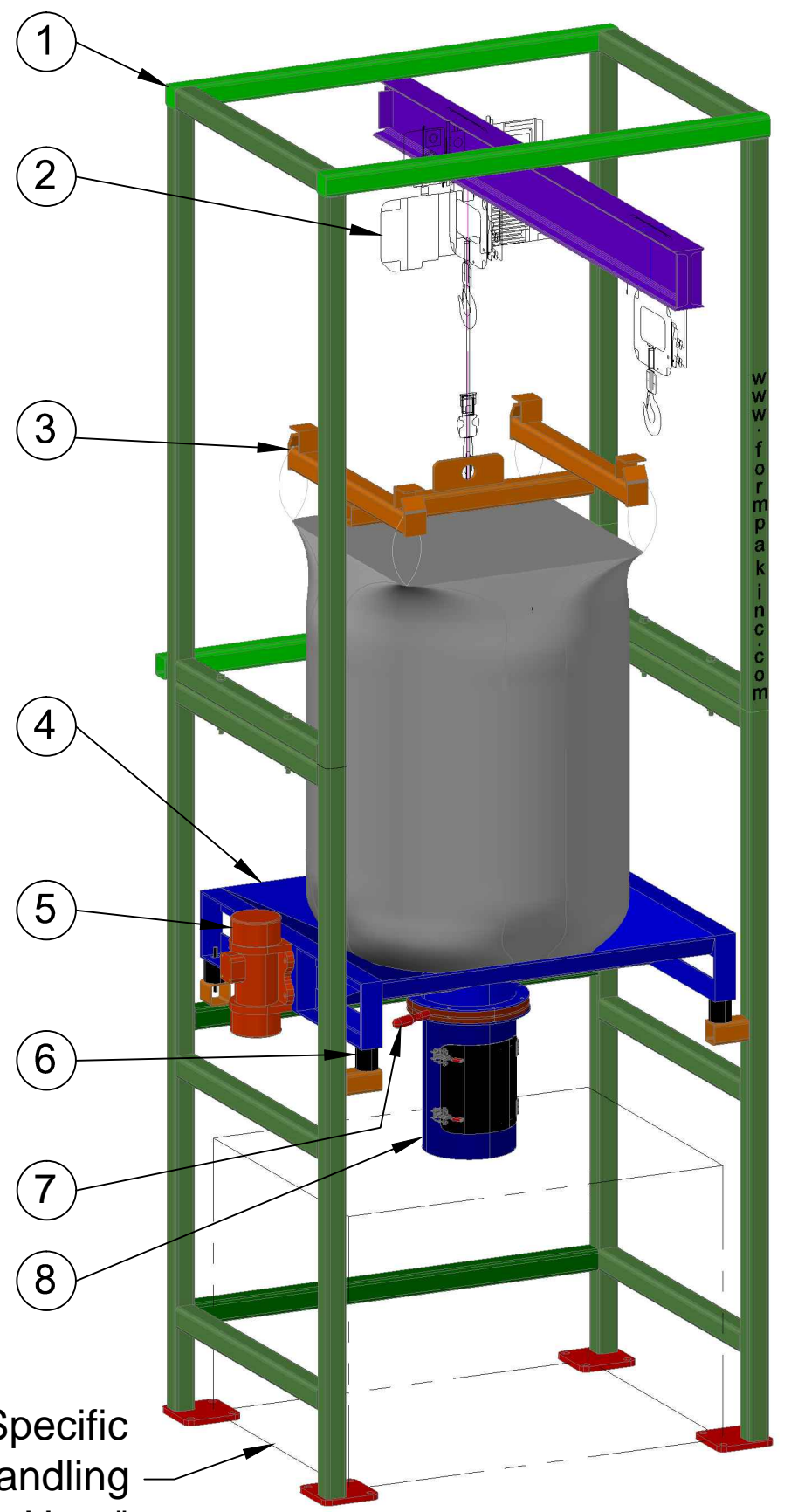


Front View

This machine can be made to accept bulk bags up to 79." (2m).

Frame can be split when required

55" Bag Shown



"Your Specific Material's Handling Requirement Here"


 Date 3/11/2011
 Scale 1/25 Sheet No. 1 of 1
BagFlo 500-HT (HoistTrolley) Assembly
 Drawing Number 000057