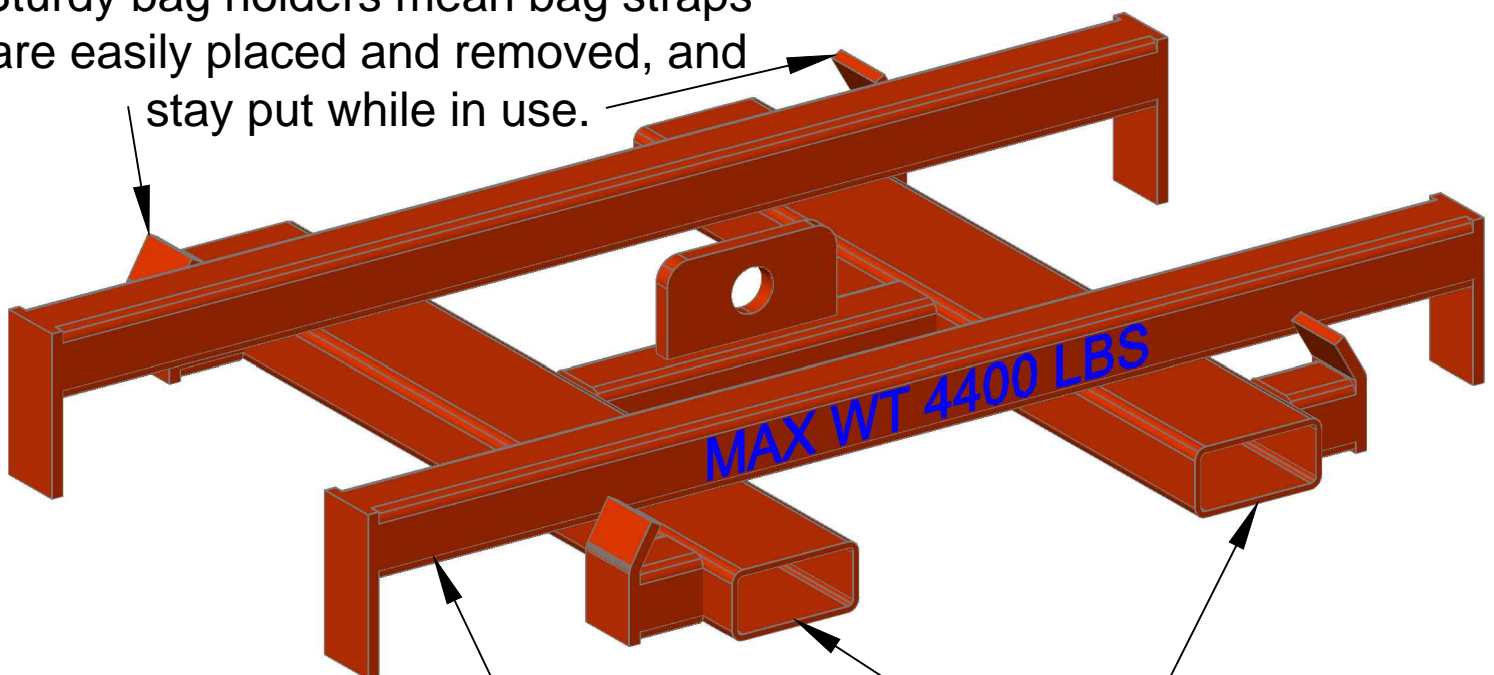


# FormPak, Inc.

Meeting Your Materials Handling Needs Since 1968

This device can easily lift the industry standard two metric ton (about 4400 lbs) bulk bag. It allows a forklift truck operator to move bulk bags and to place them directly in the FormPak BBU. The Crane Hook allows almost any crane to bring bulk bags to the forklift operator, or place them directly in the BBU.

Sturdy bag holders mean bag straps are easily placed and removed, and stay put while in use.



3" x 3" steel tubes rest on BBU frame here. (4PL)

3" x 6" Steel tubes accept forks

"Gaudy color for safety."

## FormPak BagLiFt-100DA Dual Adapter