

# BagPak 2100-SS-MB

Many vertical frames are available that adjust for any height bag.

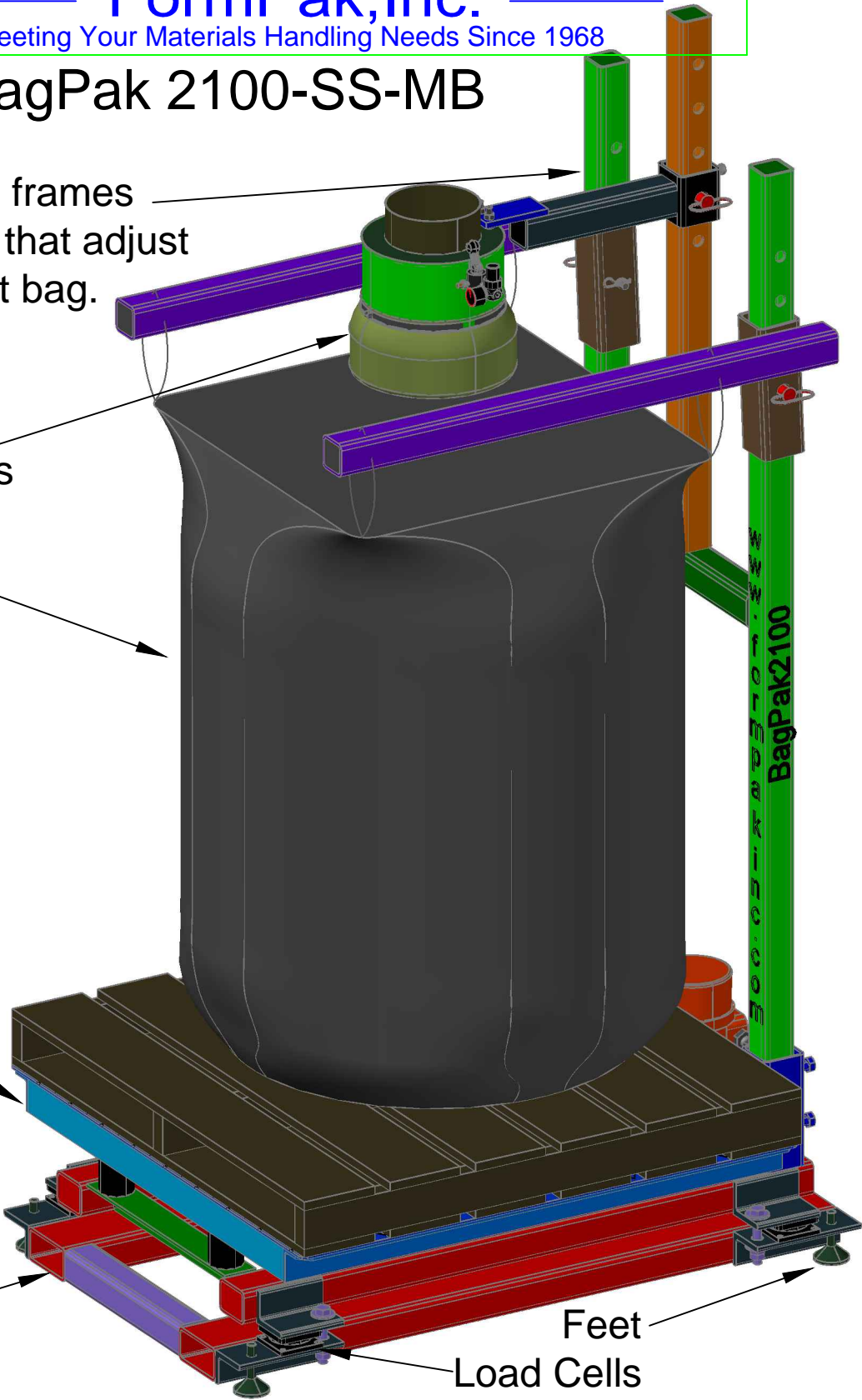
Spout-top seals as it fills

Nearly any size bulk bag can be used

Densification Deck 48"x48"

Fork-lift pick-up point.

Feet  
Load Cells



FormPak's 2100 SS-MB (Spout top, Scale controlled, Mobile Base) bulk bag filler includes integrated load cells and pallet deck (vibratory settling option shown). With the base frame fork pockets, the entire unit can be moved via forklift without risk of damaging or re-calibrating the scale.