



## Quick Clean-MD Series Rotary Airlock Valve

Watch our Quick Clean videos at:  
[www.powderandbulk.com](http://www.powderandbulk.com).  
(Search "ACS Valves" under Videos)

## Quick Take Apart Rotary Valve

### Features

- Quick Clean Endplate with hand operated knobs & rotor removable without tools, for cleaning on slide rail system including 2 slider bars with linear bearings with alignment tab and **safety switch**
- Available in sizes 6"-16"
- Available in our CI, MD, DR-S and S-Feeder
- Designed for safe and easy rotor realignment
- Available in cast iron, 304 SS and 316 SS
- Quick Take Apart for cleaning all internal surfaces hassle free. **Disassemble, clean, and reassemble without tools in just minutes**
- Optional interior surface finishes up to #4 polish (150-180 grit)
- Supplied with direct drive package
- Standard 8-vane rotor design comes complete with beveled tips and sides, option 6-vane available

### Options

- ACST-4 shaft seal or ACS Packing gland shaft seals available
- Housing vent ports
- Surge hoppers, blow through adapters, shear plate deflectors
- Rotor options: closed end, metering style, shallow pocket, adjustable tips, teflon coated
- Adjustable rotor tips available in hardened steel, stainless steel, and bronze
- Interior coating options: hard chrome and teflon
- Shaft seal and rotor pocket air purge
- Pressure differentials up to 15 psig
- Special drive packages
- High temperature options up to 500° F
- Available in square or round inlet/outlet flanges



*designed for your success*

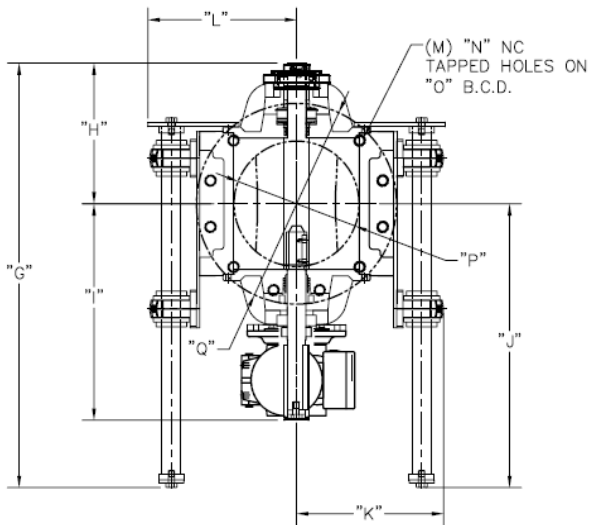
611 Argyle St. N. Caledonia, Ontario N3W 1M1

TEL: (800) 655-3447

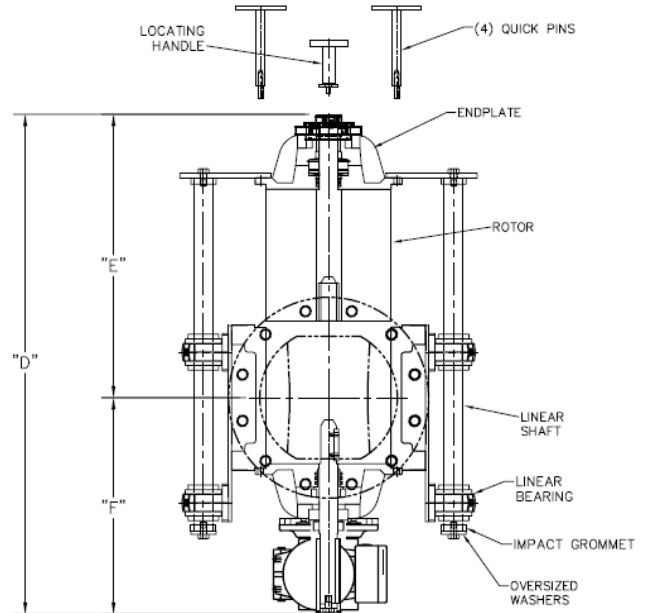
FAX: (800) 955-4991

Email: [sales@acsvalves.com](mailto:sales@acsvalves.com)

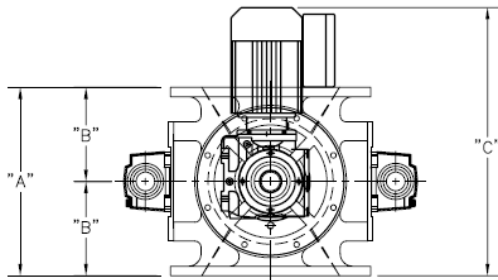
Website: [www.acsvalves.com](http://www.acsvalves.com)



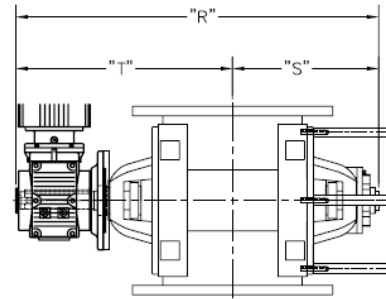
PLAN VIEW (ASSEMBLED)



PLAN VIEW DISASSEMBLED



ELEVATION



ELEVATION

ITEM	A	B	C	D	E	F	G	H	I	J	K	L
MD 6	10 5/8	5 5/16	19 3/16	32 5/16	16 15/16	15 3/8	5 1/2	28 1/16	15 1/4	17	8 1/2	9
MD 8	12 1/2	6 1/4	20 1/8	35 11/16	19 9/16	16 1/8	31 5/16	11 7/8	16 1/4	19 1/2	10 1/4	10 3/8
MD 10	15	7 1/2	21 3/8	39 13/16	22 9/16	17 1/4	33 13/16	11 3/16	17 1/4	22 5/8	11 3/4	11 7/8
MD 12	18 3/8	9 3/16	25 1/16	47 1/16	26 11/16	20 3/8	40 15/16	13 7/8	20 3/8	27 1/8	12 3/4	13

ITEM	M	N	O	P	Q	R	S	T	U	C.F.R.	WEIGHTS	H.P.
MD 6	(8)	3/4-10 NC	9 1/2Ø	6 Ø	11Ø	25	9 5/8	15 3/8	1 3/8Ø	.10	275 lbs.	3/4 HP
MD 8	(8)	3/4-10 NC	11 3/4Ø	8 Ø	13 1/2Ø	26 1/2	10 3/8	16 1/8	1 3/8Ø	.20	415 lbs.	3/4 HP
MD 10	(12)	7/8-9 NC	14 1/4Ø	10 Ø	16Ø	29	11 11/16	17 5/16	1 1/2Ø	.40	525 lbs.	1 HP
MD 12	(12)	1"Ø	17Ø	12 Ø	19Ø	32 1/2	12 9/16	19 7/8	1 1/2Ø	.75	650 lbs.	1 1/2 HP