

Feige Single Drum Filling Station – Type 19



Standard Features

- Electro-pneumatic control mounted at the filling station
- Self-optimizing filling program
- Printer/EDP interface
- Below surface filling (for foaming and fuming products)
- Above surface filling (for non-hazardous, non-foaming products)
- Removable lance allows continued operation during cleaning process
- Two stage, linear actuated valve
- Fail safe spring return filling valve
- Aseptic, drip proof valve
- Self-adjusting PTFE (Teflon®) valve seal
- Pneumatic linear drive lance eliminates grease slinging jack screw
- Intrinsically safe, internally lubricated lance assembly
- Empty drums and containers are manually positioned at the filling unit
- Automatic filling
- 920i® based control system
- Allen-Bradley PLC interface
- Hydrostatically balanced valve so its closing function is independent of pressure

Teflon is a registered trademark of E.I. du Pont de Nemours and Company

Specifications

CONTAINER DIAMETER:

620 mm maximum

CONTAINER HEIGHT:

550 mm to 1,050 mm (for filling stations with base height adjustment)

WEIGHING RANGE RESOLUTION:

25 kg - 280 kg / 100 g (3,000 d)

NOMINAL OUTPUT:

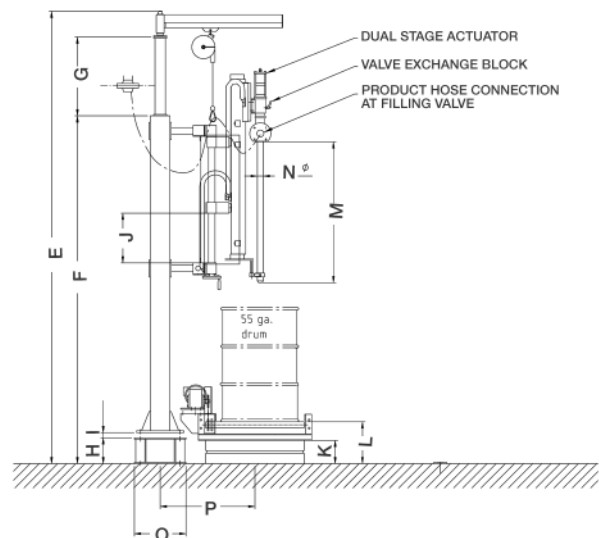
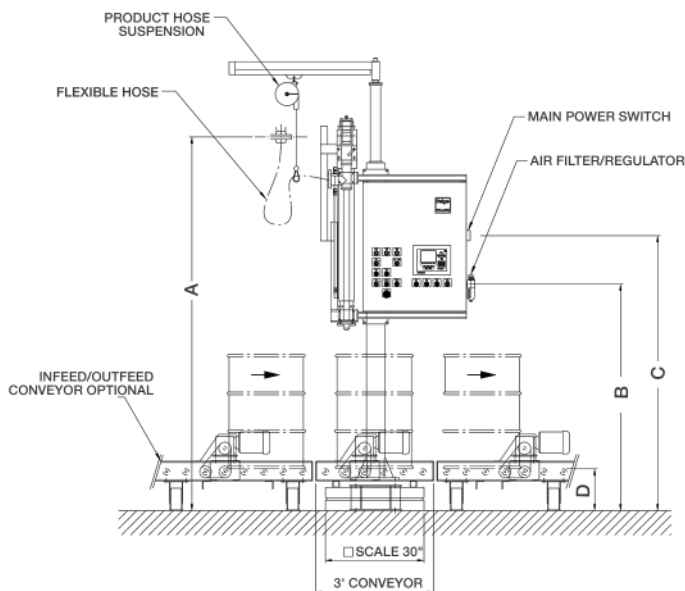
Approximately 60 containers/drums per hour depending on container size, product pressure, viscosity, foaming

WEIGHT:

Approximately 400 kg (881 lbs)

DIMENSIONS

A = 114.00" (2895.6 mm) header placement	J = 15.0" (381 mm) adjustable range
B = 69.0" (1752.6 mm)	K = 7.0" (177.8 mm)
C = 74.0" (1879.6 mm)	L = 13.0" (330.2 mm)
D = 13.0" (330.2 mm)	M = 43.0" (1,092.2 mm) lance
E = 138.0" (3505.2 mm) down	39.0" (990.6 mm) stroke
F = 106.0" (2692.4 mm)	N = 1.6" Ø (40.6 mm)
G = 24.0" (609.6 mm)	O = 16.0" Ø (406.4 mm)
H = 8.0" (203.2 mm)	P = 29.0" (736.6 mm)
I = 1.5" (38.1 mm)	



Specifications subject to change without notice

Feige Single Drum Filling Station

DESCRIPTION

PRICE

Single Drum Filling Station – Type 19.....Starting at \$34,995 – Consult factory for quotation

Consult Factory For These Options

- Container holding device
- Pneumatic valve positioner for products with various viscosity ranges
- Pneumatic drip scoop
- Gas hood
- Hazardous area protection
- Interlocking “smart” grounding clamp; “No ground - No fill” for steel containers; for use in hazardous areas
- Optical overflow sensor
- Nitrogen purging system
- Remote cleaning funnel for filling valves
- Filling valves in Teflon®, Hastelloy®, titanium or nickel
- Data logging / label printing
- Automatic bunghole locator
- Automatic opening and closing of drums
- High speed output (100 drums per hour full automatic)
- Automatic infeed and outfeed conveyor systems
- Palletizing

*Teflon is a registered trademark of E.I. du Pont de Nemours and Company
Hastelloy is a registered trademark of Haynes International, Inc.*