

NET B/G

**AUTOMATIC BIG-BAGS
WEIGHING
& FILLING MACHINE**

FOR FERLITIZERS





FOR WHICH PRODUCTS IS THIS MACHINE SUITABLE?

PHYSICAL ASPECT:

Free flowing, granular fertilizers (Ammonium nitrate, Urea, etc.)

GRANULOMETRY: $2 \div 4$ mm

BULK DENSITY: $0,72 \div 0,78$ kg/dm³

For a good performance of the machine, the product must have a constant granulometry, without clumps; preferably, it should be sieved or de-clumped before filling.





WHICH BIG-BAGS DOES IT FILL?

NET-B/G has been designed for big bags with **single lifting loop made of woven PP**.

This type of big-bag is widely used in the fertilizer industry, as it allows to optimize the filling, stocking and transportation work cycle.

They feature:

- filling spout
- reinforced “lifting loop” for easy removal of the filled big-bag with fork-lift
- Discharge valve

NOTABENE

Typically, they allow **palletless** handling!



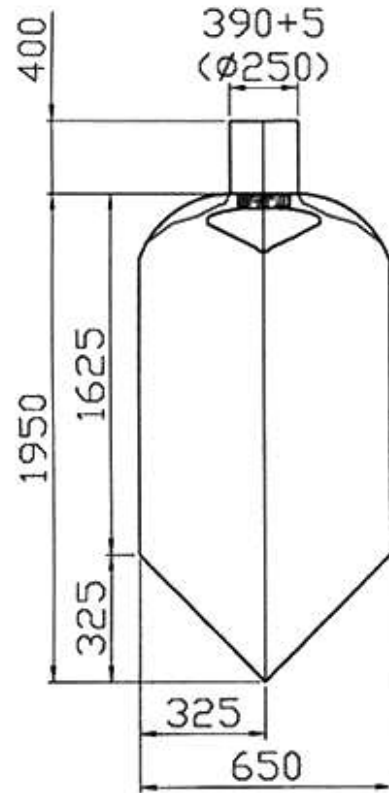


ABOUT THE SINGLE LOOP BIG-BAG

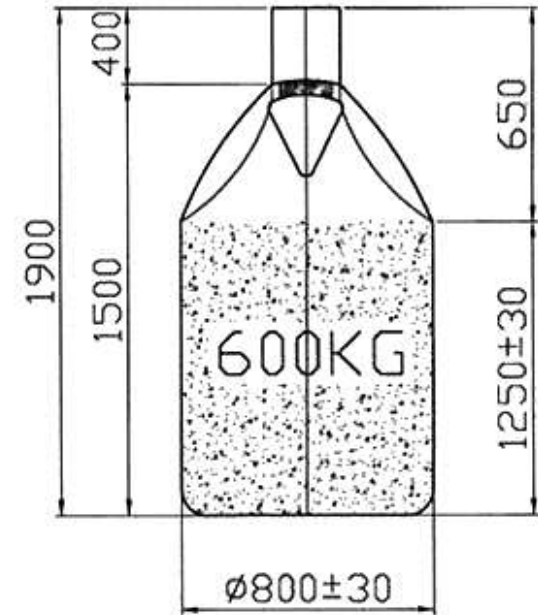
Filling spout and lifting loop



Bottom with discharge valve



DIMENSIONE BIG VUOTO



DIMENSIONE TEORICA BIG
PIENO DA 600KG
DENSITA' DEL PRODOTTO
PREVISTA 1KG/dm³

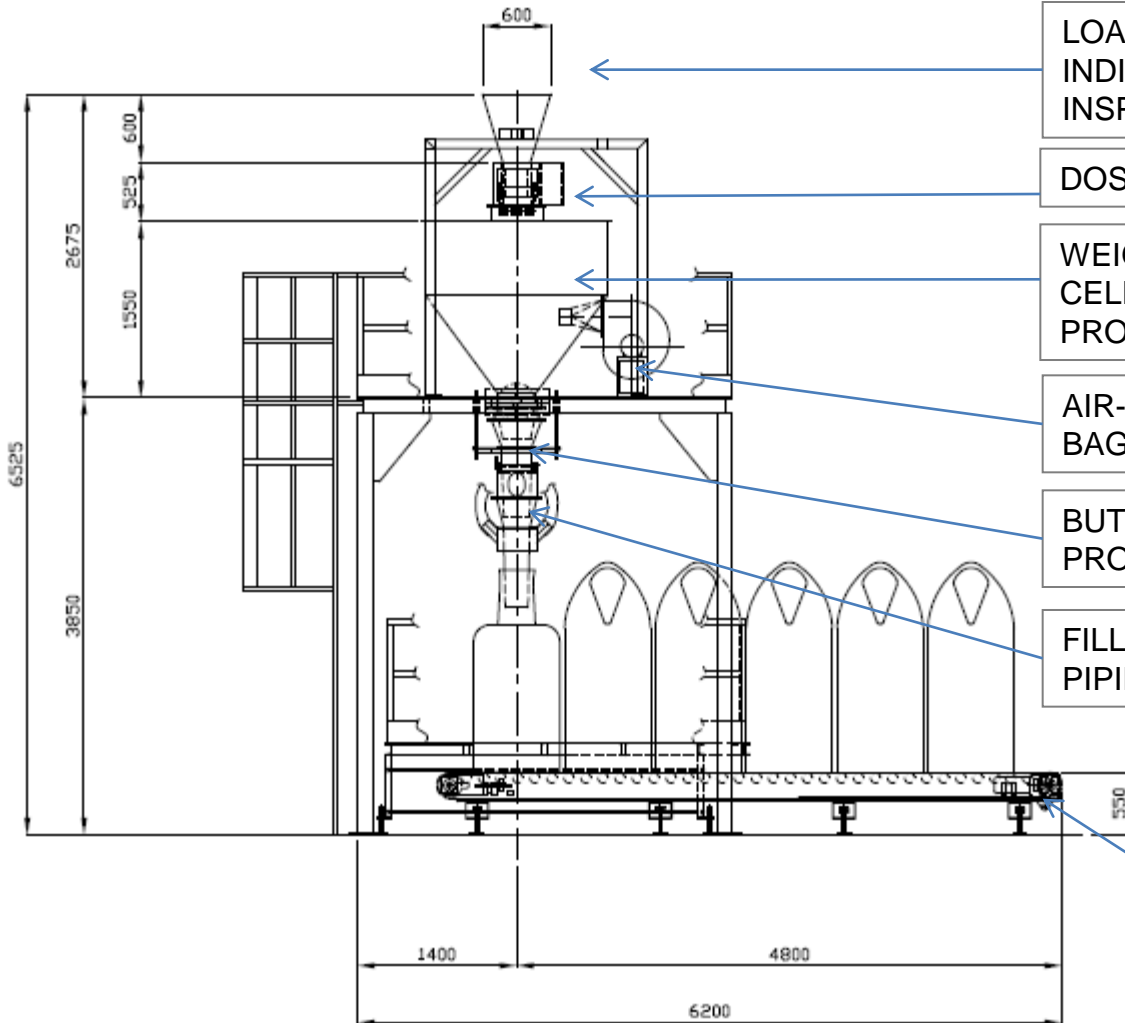
Typical weight is 500, 600, 1000, 1200 kg

www.concetti.com - sales@concetti.com





HOW DOES THE MACHINE LOOK LIKE?



LOAD HOPPER, COMPLETE WITH LEVEL INDICATORS AND INTERLOCKED INSPECTION DOORS

DOSING GATE

WEIGHING PAN HANGING ON THREE LOAD CELLS, TO CONTAIN THE LOADED PRODUCT DURING THE WEIGHING PHASE

AIR-BLOWING DEVICE TO FACILITATE BAG-OPENING PROCESS

BUTTERFLY VALVE WHICH HOLDS THE PRODUCT WHILE IT IS BEING DISCHARGED

FILLING SPOUT WITH DUST COLLECTION PIPING

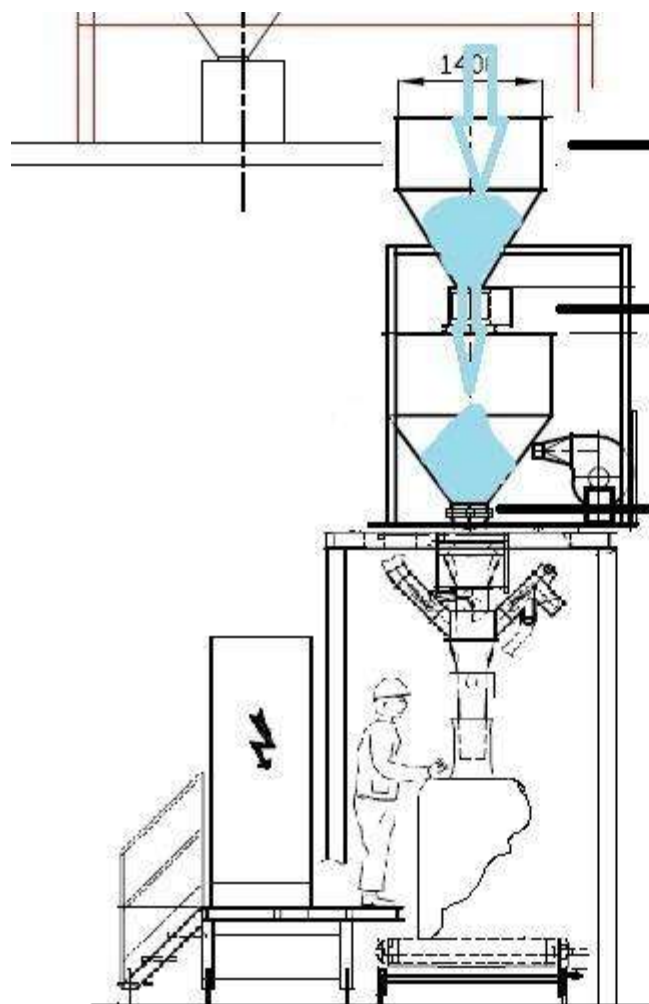
MOTORIZED FLAT BELT CONVEYOR WITH ROLLER SLIDING SURFACE, FOR EVACUATING FULL BIG BAGS.

www.concetti.com - sales@concetti.com





HOW DOES THE MACHINE WORK? PHASE ONE



PRODUCT FLOWS FROM
SURGE HOPPER
THROUGH DOSING GATE
INTO THE LOAD HOPPER

DOSING GATE OPEN AT
MAIN FEED POSITION

BUTTERFLY VALVE
CLOSED WHILE
WEIGHING PAN IS
BEING FILLED

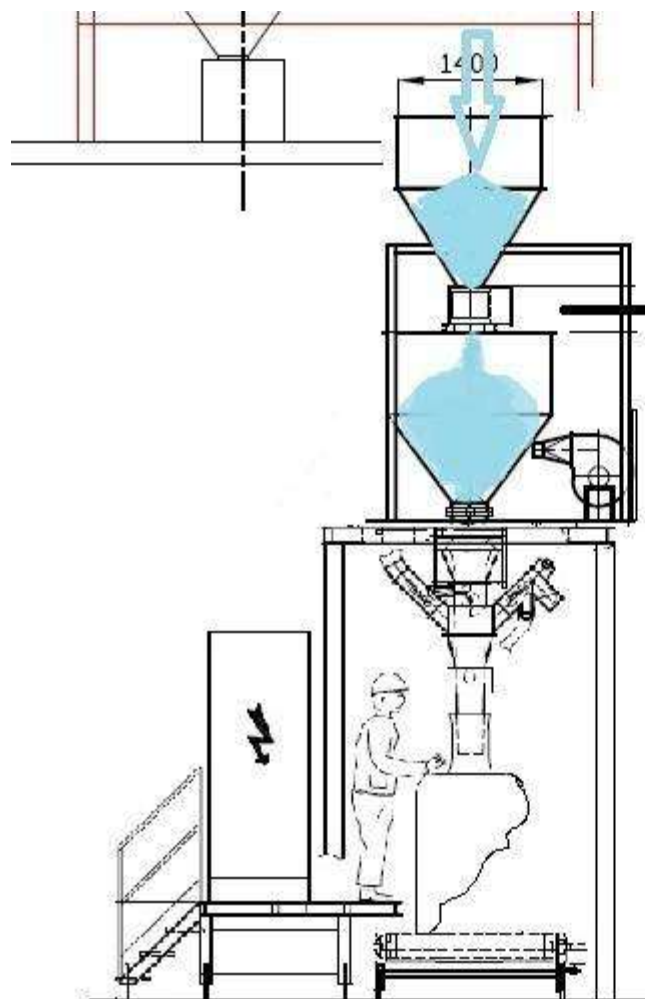
OPERATOR PLACES THE
EMPTY BIG BAG ON THE
FILLING SPOUT

**ONLY ONE OPERATOR
NEEDED!**





HOW DOES THE MACHINE WORK? PHASE TWO



DOSING GATE ON
DRIBBLE POSITION
(PNEUMATIC
CONTROLLED)

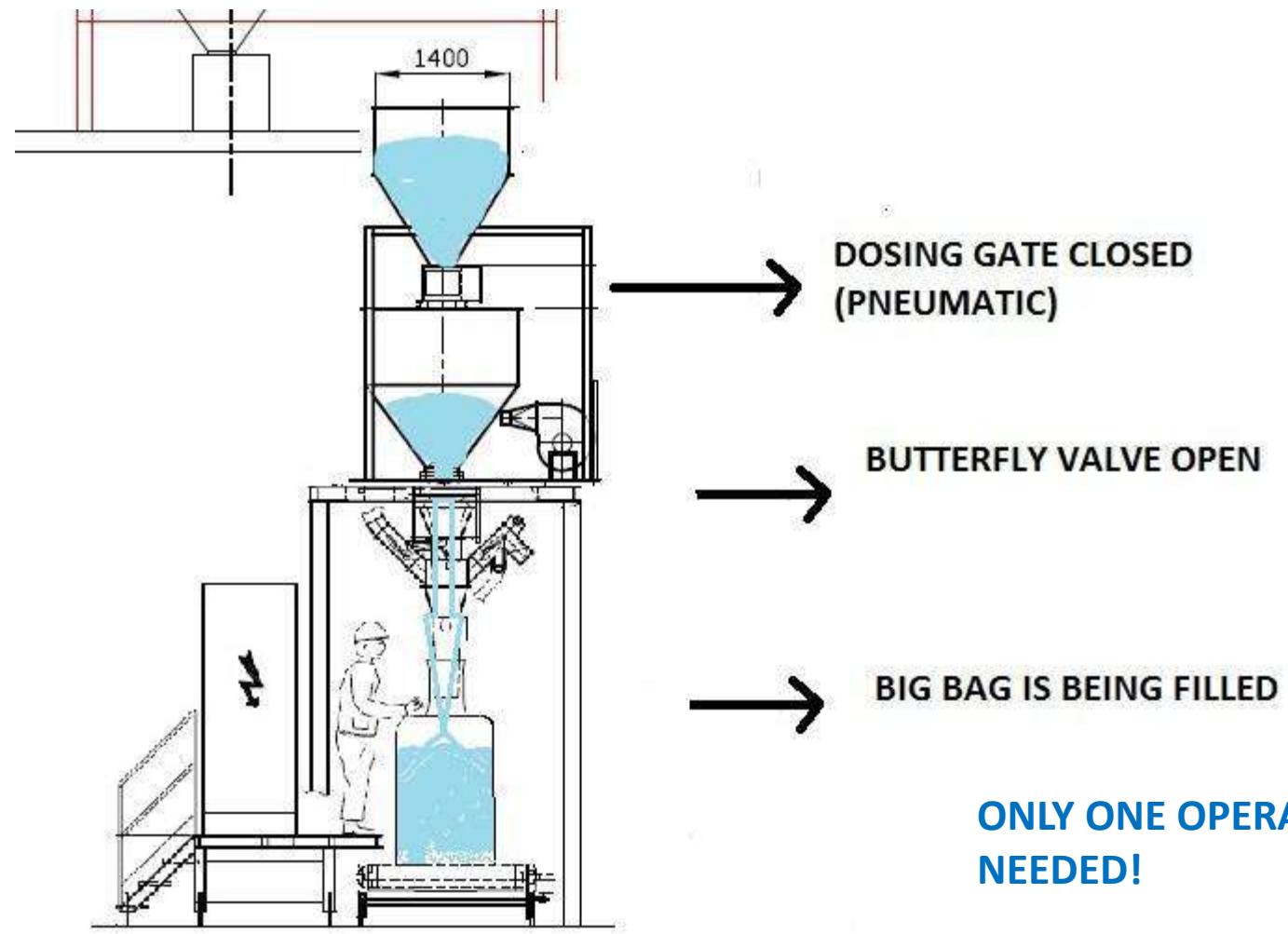
BUTTERFLY VALVE STILL
CLOSED

**ONLY ONE OPERATOR
NEEDED!**





HOW DOES THE MACHINE WORK? PHASE THREE



ONLY ONE OPERATOR NEEDED!





SPECIAL ANTICORROSIVE CONSTRUCTION

- All parts in direct contact with the product THE are in AISI 304 and 316 stainless steel.
- Bolts and nuts made of AISI 304 and 316 stainless steel.
- Pneumatic cylinders made of stainless steel.
- Pneumatic fittings.
- Exclusion of aluminium, copper and its alloys
- Guarding of the solenoid valves and filter unit in airtight plastic boxes.
- Cable trunking made of stainless steel.

PAINTING OF ALL CARBON STEEL SURFACES ACCORDING TO THE FOLLOWING CYCLE:

- Sanding SA 2.5
- Epoxy base coat (35/40 μm).
- Polyurethane top coat (130/150 μm).
- The commercial components, not resistance to corrosion, will be treated with polyurethane enamel only (40 μm).

SPECIAL ANTICORROSIVE CONSTRUCTION



- ELECTRICAL **COMMAND AND CONTROL PANEL** FOR THE WEIGHING AND FILLING INSTALLATION.
- IT IS EXECUTED WITH PROGRAMMABLE LOGIC BASED ON **PLC SIEMENS**.
- **DIAGNOSTIC SYSTEM** FOR THE ENTIRE PLANT WITH FAULT, EMERGENCY AND OPERATING MESSAGE DISPLAY.
- **COMUNICATION DATA EXCHANGE** VIA ETHERNET.
- **TELESERVICE**: REMOTE CONNECTION TO CONCETTI HELP-DESK AVAILABLE

STAINLESS STEEL CONTROL PANEL

FINALLY, HOW FAST IS THIS MACHINE?

- 600 KG → 100 BIG BAGS/H
- 1000/1200 KG → 60 BIG BAGS/H

**WHICH MEANS
60 TONS / HOUR
WITH ONE MACHINE AND
ONE SINGLE OPERATOR!**

