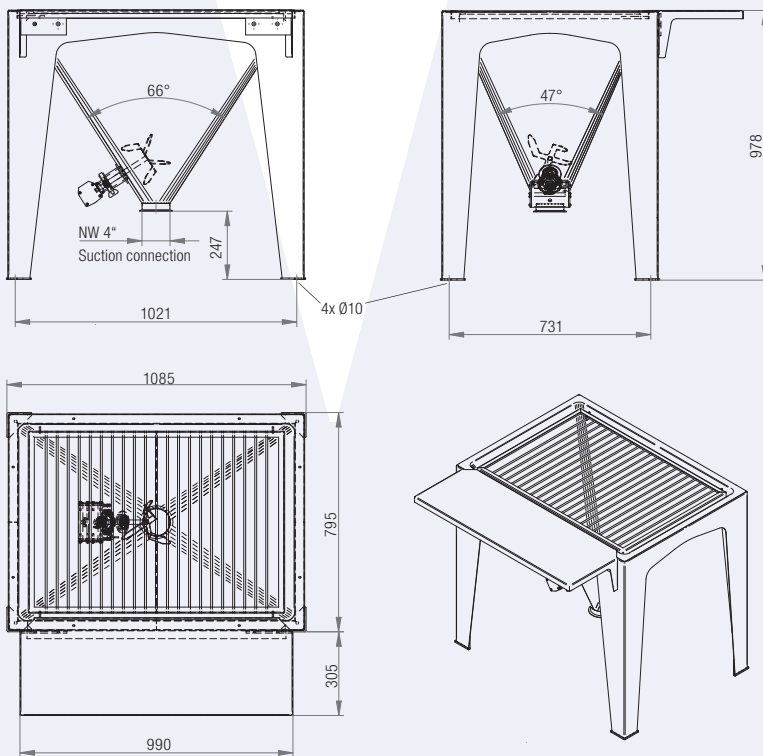




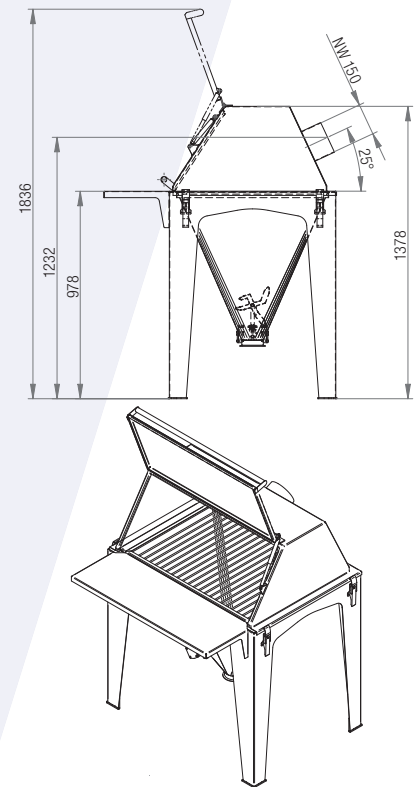
Customized systems available!

- Materials:** Stainless steel 316L (1.4404 / 1.4435),
outer frame stainl.st. 304 (1.4301),
Gaskets PE (foam)
- Surface:** surfaces with product contact $Ra < 0,8\mu m$,
outer surfaces glass-blasted
- Volume:** app. 180 liters (400 liters with extension)
- ID-Nr. Article / Options**
- 103.606 Bag Rip and Tip Station 180 (stainless steel 316L)
 - 103.644 Filling volume extension (plus 220 liters = 400 liters)
 - 103.617 Bag support shelf
 - 103.623 Grille (standard design, 316L)
 - 103.649 Grille (hygienic design, 316L, gap-free weld, $Ra < 0,8\mu m$)
 - 103.643 Fluidizing element (stainless steel 316L, silicone FDA)
 - 103.642 Piston vibrator (Aluminum, mounted externally at cone)
 - 103.628 Material agitator, with rotary pneumatic drive (6 bar).
Rotor 316L, bearing POM (FDA).
Must be ordered and used with grille!
 - 103.641 Cover plate
 - 103.645 Dust hood with opening door and connection spigot

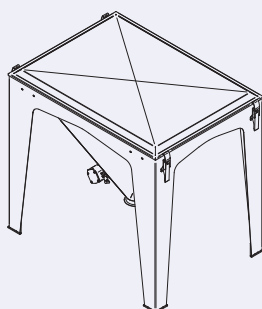
Bag Rip and Tip Station 180 (with options: bag support shelf, bag agitator, grille)



Option: Dust hood with opening door



Option: Cover plate



Bag Rip and Tip Station with filling volume extension

