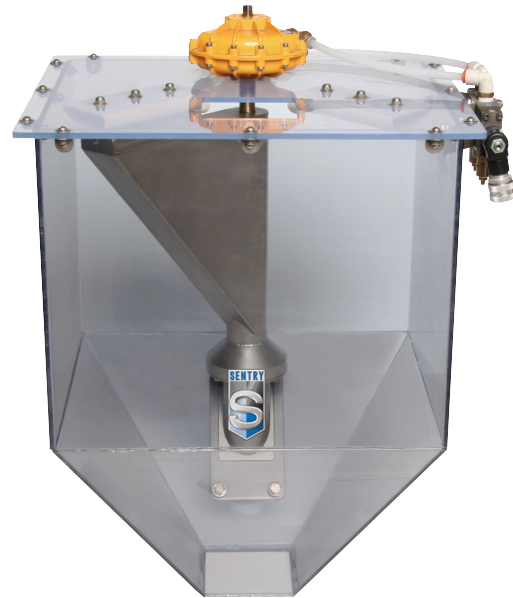




*The
Sampling
Connection*



MODEL SA AUTOMATIC SAMPLER

Automatic Cross-Cut Sampler for Free-Flowing Materials

Features

- USDA, Canadian, FGIS and NOPA approved
- Available with air or electric actuation (120 VAC)
- Operates under a few inches w.g. (+/-) pressure which makes it dust and vapor-resistant to working areas
- Working temperatures up to 355° F / 180° C
- Constructed of 304 stainless steel with Kevlar braided packing material
- Filter, regulator and gauge included

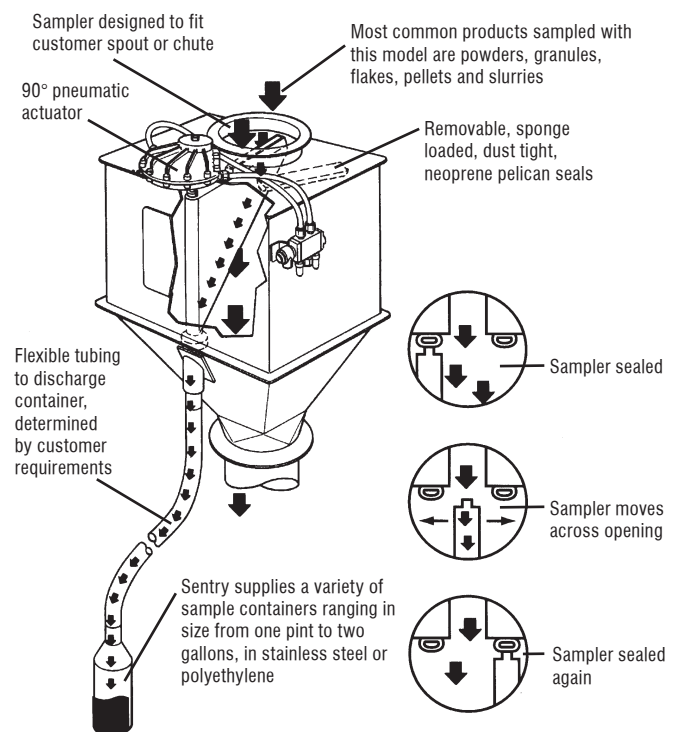
Options

- Adjustable pelican opening
- Wear lining in lower transition
- Special seal materials available
- Nickel-impregnated Teflon® for a non-stick surface
- Hardening treatments to protect against wear and abrasion

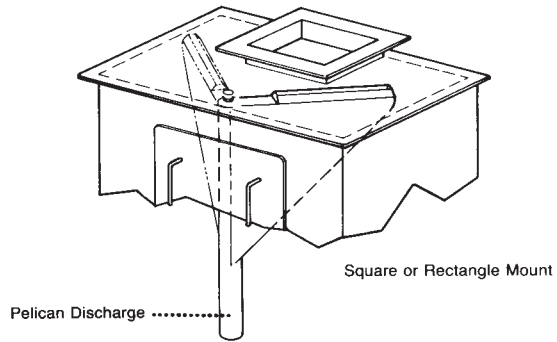
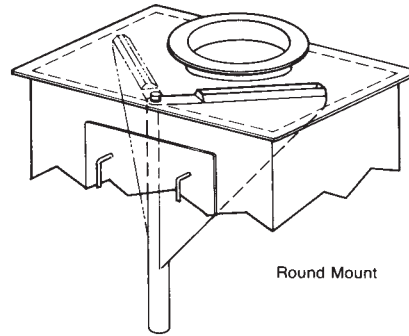
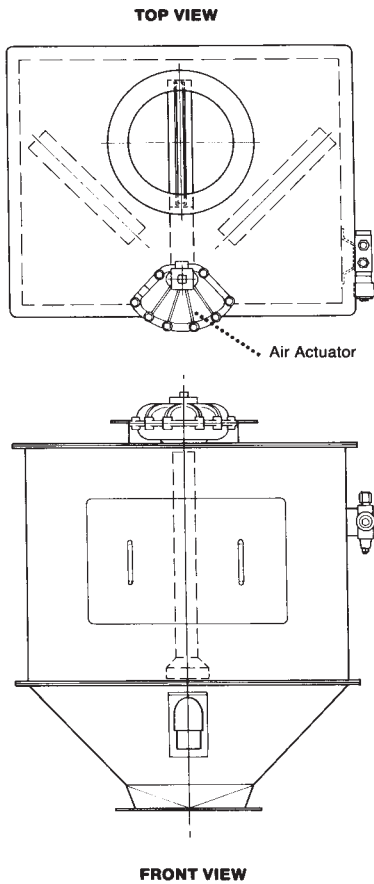
Description

The Model SA is a cross-cut sampler designed to sample bulk solids such as powders, pellets, granules, flakes, grains and seeds, as well as slurries, in vertical spouts and chutes. The pivot method of sampling features a top actuator drive, dust-tight housing, neoprene seals and Kevlar® braided packing.

The Model SA samples when a pneumatic-actuated “pelican-type” head traverses across the product flow. A representative sample collects to the discharge point.



MODEL SA TECHNICAL DATA



SPECIFICATIONS

Basic Electrical Requirements	115 VAC, single phase, 60 Hz; control box fused to 2 amps
Air Requirements	80 psig, 1.5 cfm per cycle
Quantity of Sample	determined by flow rate, aperture size and time in line
Product Size	10 micron to 1/4" / 6 mm; larger sizes upon request
Recommended Location of Sampler	vertical gravity lines, some pressurized applications
Suggested Connection to Collection Point	rigid metal or flexible tubing to a collection container or multi-position collection cabinet
Materials of Construction	stainless steel housing and inspection door
Temperature Range	up to 355°F / 180°C

⚠ WARNING

It is solely the responsibility of the end-user, through its own analysis and testing, to select products and materials suitable for their specific application requirements, ensure they are properly installed, safely applied, properly maintained, and limit their use to their intended purpose. Improper selection, installation, or use may result in personal injury or property damage.



SENTRY EQUIPMENT CORP

PO Box 127
Oconomowoc, WI 53066 USA
Phone: 262-567-7256
Fax: 262-567-4523

E-mail:
sales@sentry-equip.com

Website:
www.sentry-equip.com

For further information, contact:

The Sampling Connection