



MODEL SBC Automatic Sampler Controller

Simplify plant operation with this out-of-the-box sampler controller



MODEL SBC SAMPLER CONTROLLER

Features

- Operator-friendly user interface
- Stand alone controller
- Remote operation controlled by a single contact
- Supports Modbus, CAN and other protocols
- Automatic continuous composite control
- Batch control
- Flow proportional control
- Integrates with remote mountable airset(s)
- Control of indexing cabinet (Sentry Model IC, purchased separately)

Options

- Stainless steel enclosure
- Gland plate
- Proximity sensor integration
- Ethernet interface
- Custom programming available

Description

The Model SBC controller is a dedicated logic control system capable of controlling any automatic sampler in the Sentry product line (liquids, slurries and bulk solids samplers). With just a few simple connections, your sampler can be in operation. The Quick Start screen will guide you through the steps for setup.

The Model SBC features both Local and Remote operating modes.

Want operator control right at the controller? Local mode allows for the operator to obtain a single grab sample or to continuously sample. No other inputs are required.

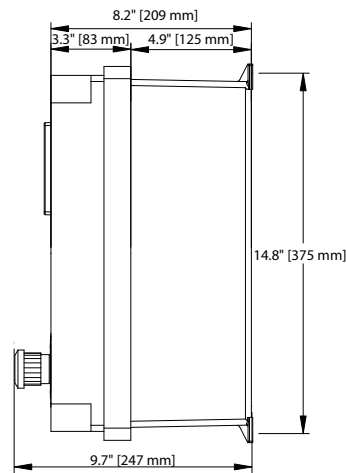
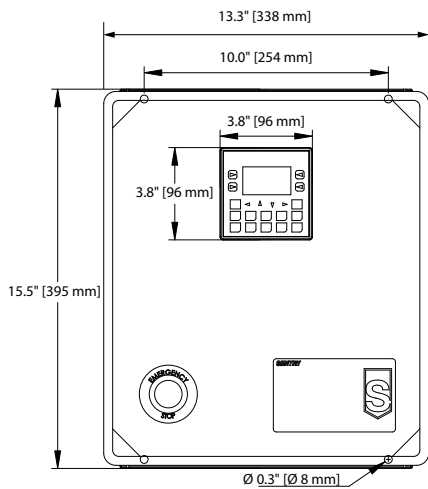
Need to interface with your PLC, DCS or SCADA system? The Model SBC offers a dry contact interface for remote starting and stopping of the sampler along with relay outputs for sampler running and alarm status.

Require more information and remote control of system set points? The Model SBC supports ModBus, CAN, Allen Bradley DF1, GE Fanuc SNP communications protocols without additional hardware.

The menu driven operator interface allows for quick and efficient access to all system parameters and information. The LCD screen provides constant information on the system status. The 20 tactile feedback membrane switches allow for easy operator inputs.

Customize operation to your process by utilizing some of our standard features, such as Batch sampling, Flow proportional sampling, Flow counter based sampling and control of the Sentry Indexing Cabinet (Model IC). Inquire about customized programming for your unique application.

MODEL SBC TECHNICAL DATA



SPECIFICATIONS

Power:

Input Voltage: 100 - 240 VAC
 Frequency Range: 50/60 Hz 1 phase
 Input Current: varies by sampler
 1 A – 7 A

Inputs:

Digital:

Dry Contacts, 24 VDC:
 Remote Enable
 Remote Start
 High-speed flow counter input, 100 μ sec min. pulse width
 Inputs available for optional proximity sensors, 24 VDC

Analog:

4 – 20 mA, 10-bit resolution

Outputs:

Mechanical relay, maximum 3 A @ 250 VAC resistive

Communications:

Modbus, CAN, Allen Bradley DF1,
 GE Fanuc SNP Ethernet (add'l
 hardware required)

Keypad:

Twenty tactile feedback membrane
 switches

Display:

128 x 64 pixel LCD Display
 Graphics and Text

Enclosure:

Fiberglass
 NEMA 4X, IP 65

Mounting:

Surface

Ambient Temperature:

0 – 122° F (0 – 50° C)

Shipping Weight:

17 lbs. (7.7 kg)

**Agency Approvals
 available:**

CE, CSA

SOFTWARE FEATURES

- Batch user-defined number of samples taken
- Flow proportional linear interpolation of sampling time based on 4 – 20 mA input
- Flow counter sampling based on number of flow counter pulses
- Remote operation sampling triggered by external input
- Delay-start event-based sampling with user defined delay
- Index cabinet integrated sampling and indexing cabinet control



European Authorized Rep:
 OBELIS
 Bd. General Wahis 53-1030
 Brussels Belgium

WARNING

It is solely the responsibility of the end-user, through its own analysis and testing, to select products and materials suitable for their specific application requirements, ensure they are properly installed, safely applied, properly maintained, and limit their use to their intended purpose. Improper selection, installation, or use may result in personal injury or property damage.



SENTRY EQUIPMENT CORP

966 Blue Ribbon Circle North
 Oconomowoc, WI 53066 USA
 Tel: 262-567-7256 • Fax: 262-567-4523

E-mail:
 sales@sentry-equip.com

Website:
 www.sentry-equip.com



For further information, contact: