



**BUILT SMART
BUILT TO SURVIVE**

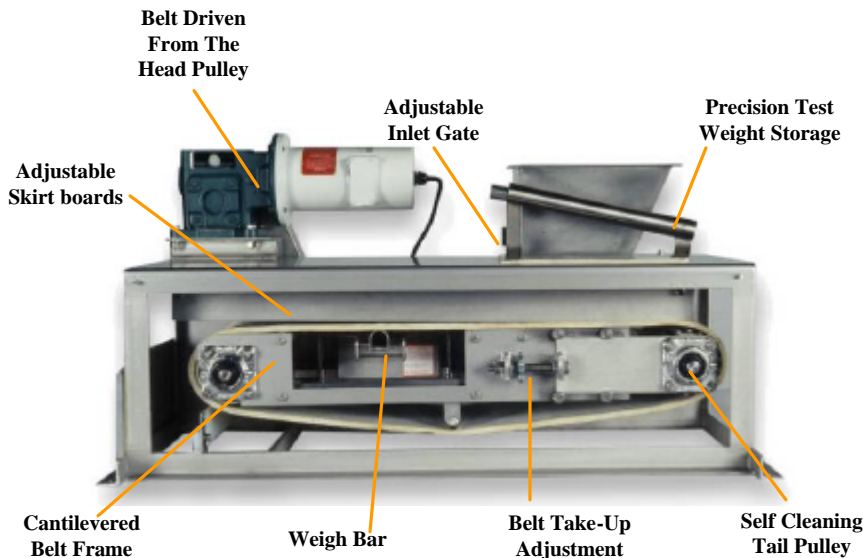
Model MWF-101 Miniature Weigh Belt Feeder

- **Very Small Size:** 25" centerline inlet to centerline outlet for the 10" wide belt and 41" for the 13" wide belt.
- **Handles a wide range of materials and densities.**
- **Sanitary, stainless construction.**
- **Totally enclosed for effective dust control.**
- **Easy access, low maintenance design.**
- **Totally removable scale assembly needs no re-calibration after reinstallation.**
- **Excellent accuracy and stability.**
- **Rugged construction-*built to survive*.**



The MWF-101 Weigh Belt Feeder provides Thayer Scale accuracy, ruggedness and reliability and reduces measurement errors. Self cleaning pulley eliminates material build-up and belt tracking problems. Unique flared skirt design prevents material spillage and assures proper feed control. Rigid scale support system provides exceptional stability, assuring accuracy without frequent re-calibration.

Belt velocity is measured from the tail pulley, not the drive motor, providing a direct measurement of belt speed which improves both measurement and control of the material. Totally enclosed, gasketed design assures safe, dust free operation even when handling fine powder. The strain gauge load cell assembly can be easily removed then reinstalled without re-calibration of the feeder.



Adjustable Inlet Gate



Digital Pulser Mounted To Tail Pulley



Self Cleaning Tail Pulley

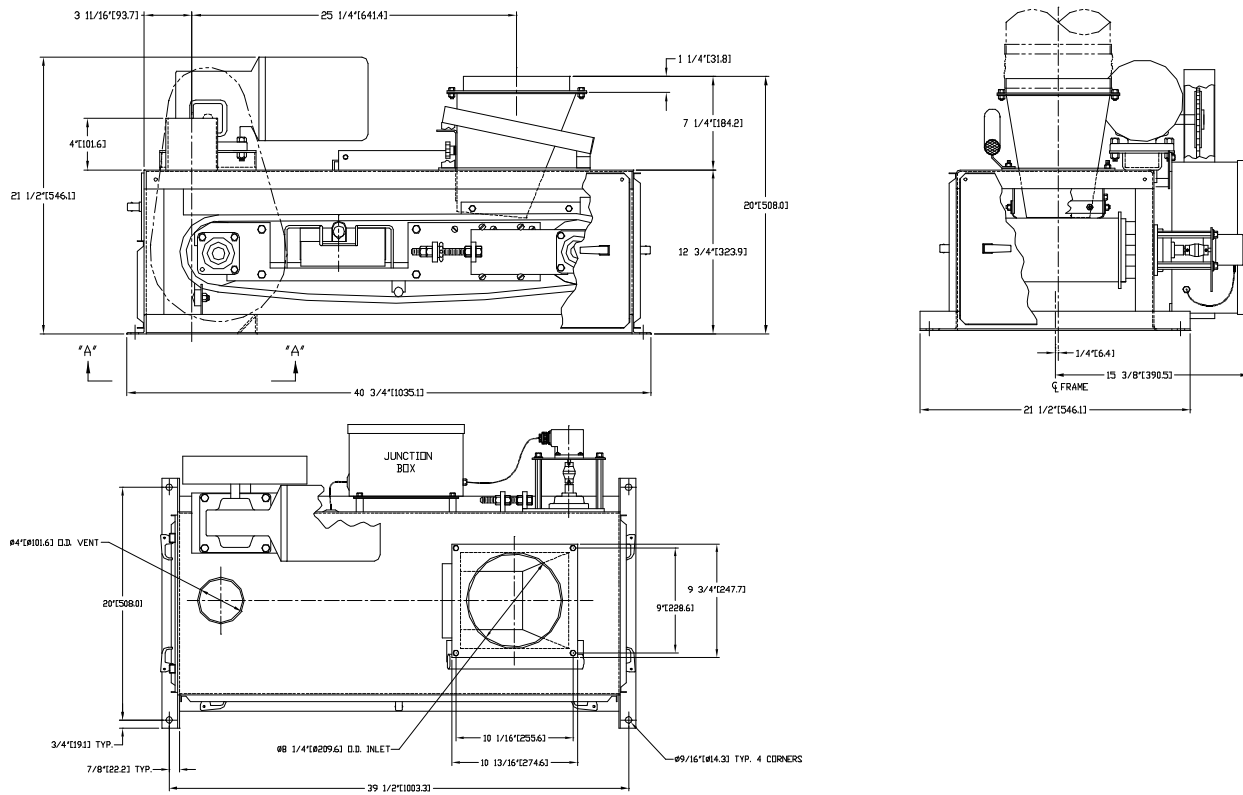
Thayer Scale-Hyer Industries, Inc.

P.O. Box 669, 91 Schoosett Street, Pembroke, MA 02359

Ph: (781) 826-8101 FAX: (781) 826-7944

E-MAIL Sales@ThayerScale.com

THAYER Model MWF-101 Weigh Belt Feeder



*DIMENSIONS

	A	B	C	
Belt Width	Overall Length	Overall Width	Center of inlet-to-center line of outlet	Standard Inlet Diameter
10" (254 mm)	39.5" (1003 mm)	24" (610mm)	25" (635 mm)	8" (203 mm)
13" (330 mm)	51.4" (1306 mm)	34.5" (876 mm)	32.5" (826 mm)	12" (305 mm)

*All dimensions are subject to change, for reference only

SPECIFICATIONS

Feed Capacity: -10" (245 mm) wide weigh belt- up to 25,000 lbs/hr (11,340 kg/hr) with a material bulk density of 50 lbs/ft³ (0.8 gr/cm³).

-13" 9330 mm wide weigh belt – up to 41,500 lbs/hr (18,820 kg/hr) with a material bulk density of 50 lbs/ft³ (0.8 gr/cm³).

Density Range: 15 to 80 lbs/ft³ (0.24 to 1.28 gr/cm³).

Particle Size: Up to 0.25" (6.4 mm)- consult factory if particle size exceeds 0.25".

Weight Measurement System: Precision strain gauge force transducer, meets IP-67.

Speed Measurement System: Direct coupled quadrature digital pulse transmitter (800 PPR) mounted to tail pulley shaft.

Motor: 0.25 HP (0.19 kW), 90 volt DC armature, permanent magnet, TENV, 115 VAC, 1/ 50-60 Hz, continuous duty, Class B insulation or AC Inverter Duty Motor 230-460/3/60 volts AC, TEFC.

Drive Reducer: C faced coupled to motor, right angle worm & gear type, service factor 1.5, complies with A.G.M.A. standards.

Turndown: 20:1.

Material Contact Surfaces: 304 Stainless Steel.

Non-Contact materials: 304 Stainless Steel.

Temperature Limits: Ambient 32°F to 130°F (0° to 54°C).

Material: 0°F to 250°F (-18°C to 121°C).

Feed Rate Fully enclosed, removable side and end panels gasketed and secured with captive type fasteners, open bottom.

Belt: Endless two (2) ply carcass with BUNA-N top cover, raised flanges, FDA approved. Rated for material temperature up to 250°F (121°C).

Adjustable Bed Depth Gate Standard

Accuracy (combined error): 0.25 to 1.0% of set rate (at 2 sigma) based on a minimum sample of 1 minute or 2 circuits of the belt, which ever is greater.

Thayer Scale-Hyer Industries, Inc.
P.O. Box 669, 91 Schoosett Street, Pembroke, MA 02359
Ph: (781) 826-8101 **FAX:** (781) 826-7944
E-MAIL Sales@ThayerScale.com