

Mink

Mink MI 2124 – 2122 BV



MI 2124 BV

Description

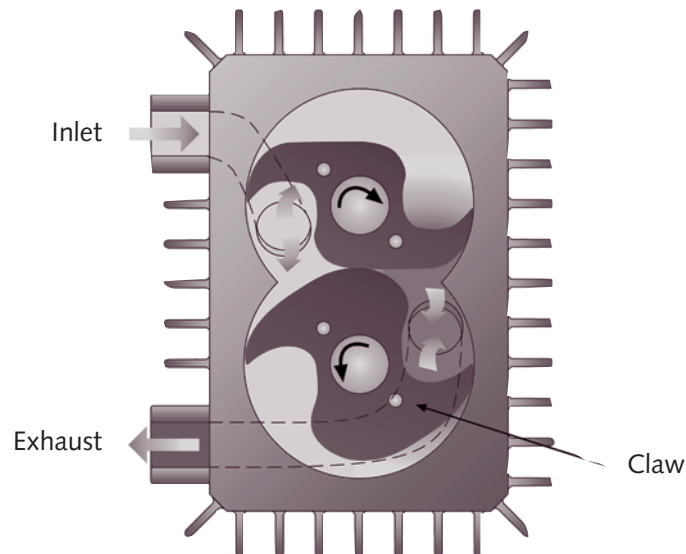
The Busch Mink MI BV Series positive displacement vacuum pumps feature a compact rotary claw design that is air-cooled, dry-running and non-contacting. These features along with quality construction results in a pump that offers extremely high reliability and a long service life.

Features

- Two stages for operation at vacuum levels to 29.3" HgV
- Non-contacting design
- Dry (oil-free) pumping chamber
- Air-cooled
- Low maintenance – no wear in pumping chamber
- Simple, modular construction
- Suitable for variable speed applications
- Discharge silencer
- Suitable for dusty environments

Dry Rotary Claw Vacuum Pumps

Operating Principle



Operating Principle

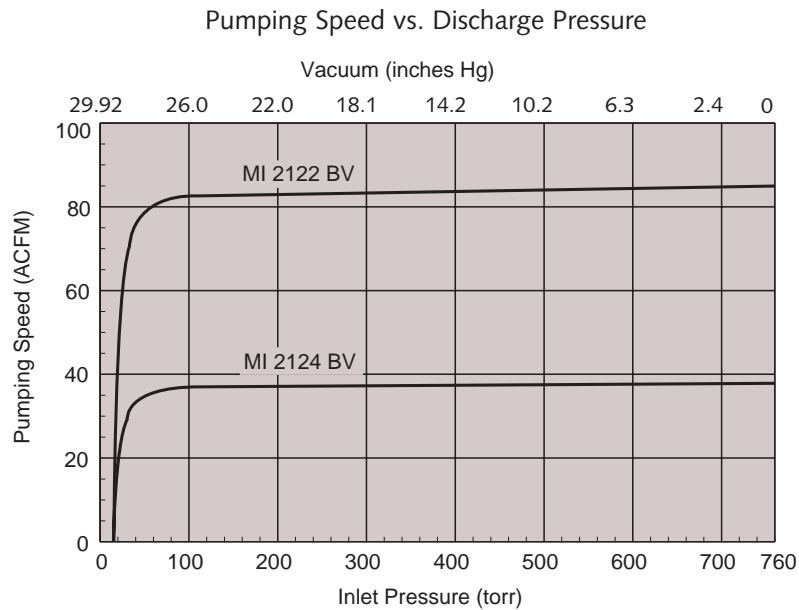
Inside the first stage pump housing, two claw shaped rotors take in air as they rotate in opposite directions. The air is compressed by the rotors, then delivered to the second stage pump housing where it is compressed to a deeper level, then discharged through a silencer to atmosphere. The non-return valve incorporated into the inlet

flange prevents air from back flowing into the pumping chamber when the pump is turned off. Mink MI dry rotary claw direct drive pumps are driven by a C-face motor, and the two rotors are synchronized by gears. A wide range of accessories allows optimum adaptation to many applications.

Applications

- Wood Industry
- Pneumatic conveying
- Transport and lifting systems
- Medical technology
- Central vacuum systems
- Packaging industry
- Plastics industry
- Food industry
- Printing industry
- Ceramics and brick industry
- Environmental technology
- Vacuum sewage
- Textile industry
- Paper industry
- Beverage industry

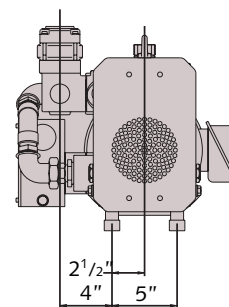
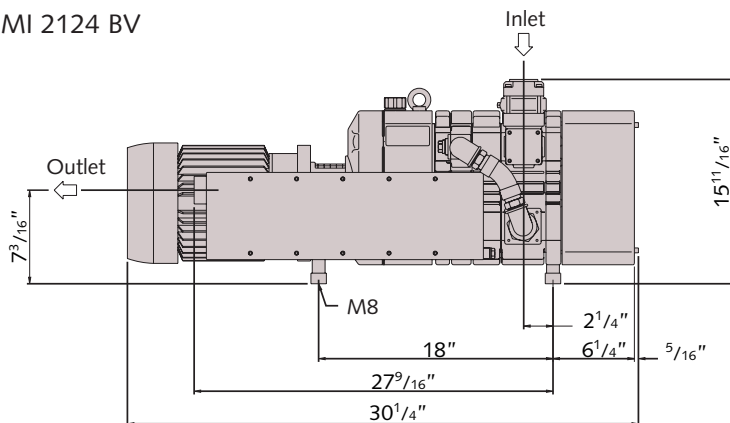
Technical Data



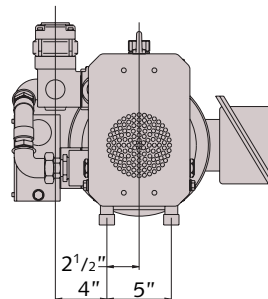
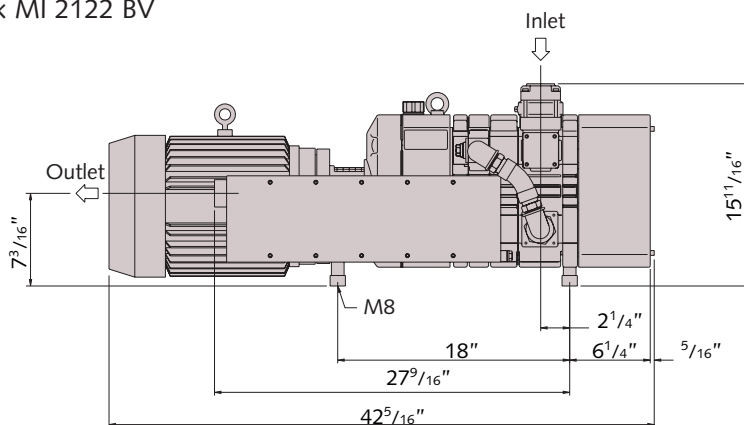
Technical Data		2124 BV	2122 BV
Model MI (Vacuum)		2124 BV	2122 BV
Nominal pumping speed	ACFM	38	85
Free air displacement	CFM	50	100
End vacuum	"Hg	29.3	29.3
End vacuum	torr	15	15
Motor rating	HP	3	7.5
Motor speed	RPM	1800	3600
Approx. weight	Lbs	325	352
Inlet pipe connection	Inches	1 ¹ / ₄	1 ¹ / ₄
Discharge pipe connection	Inches	1 ¹ / ₂	1 ¹ / ₂
Sound rating	dBA	77	84

Dimensions

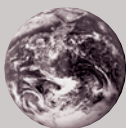
Mink MI 2124 BV



Mink MI 2122 BV



All dimensions in inches unless otherwise noted.



Busch - all over the world in industry

ISO 9001-2000 Registered Company

Busch LLC 516 Viking Drive Virginia Beach, VA 23452
 Phone (757) 463-7800 FAX (757) 463-7407

www.buschusa.com
 1-800-USA-PUMP