

| I.D.  | DESCRIPTION                |
|-------|----------------------------|
| MVD-1 | SENTRY NEEDLE SAMPLE VALVE |

| CONNECTION IDENTIFICATION |               |            |
|---------------------------|---------------|------------|
| I.D.                      | DESCRIPTION   | SIZE       |
| 1                         | SAMPLE INLET  | 1/2" COMP. |
| 2                         | SAMPLE RETURN | 1/2" COMP. |
| 3                         | VENT          | 1/4" COMP. |

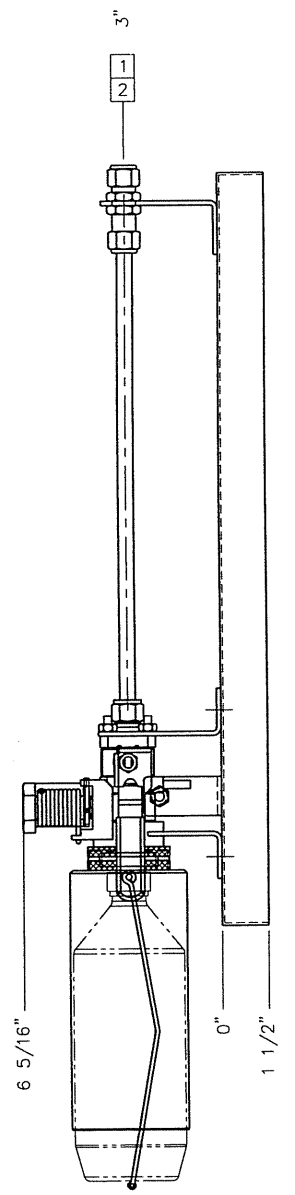
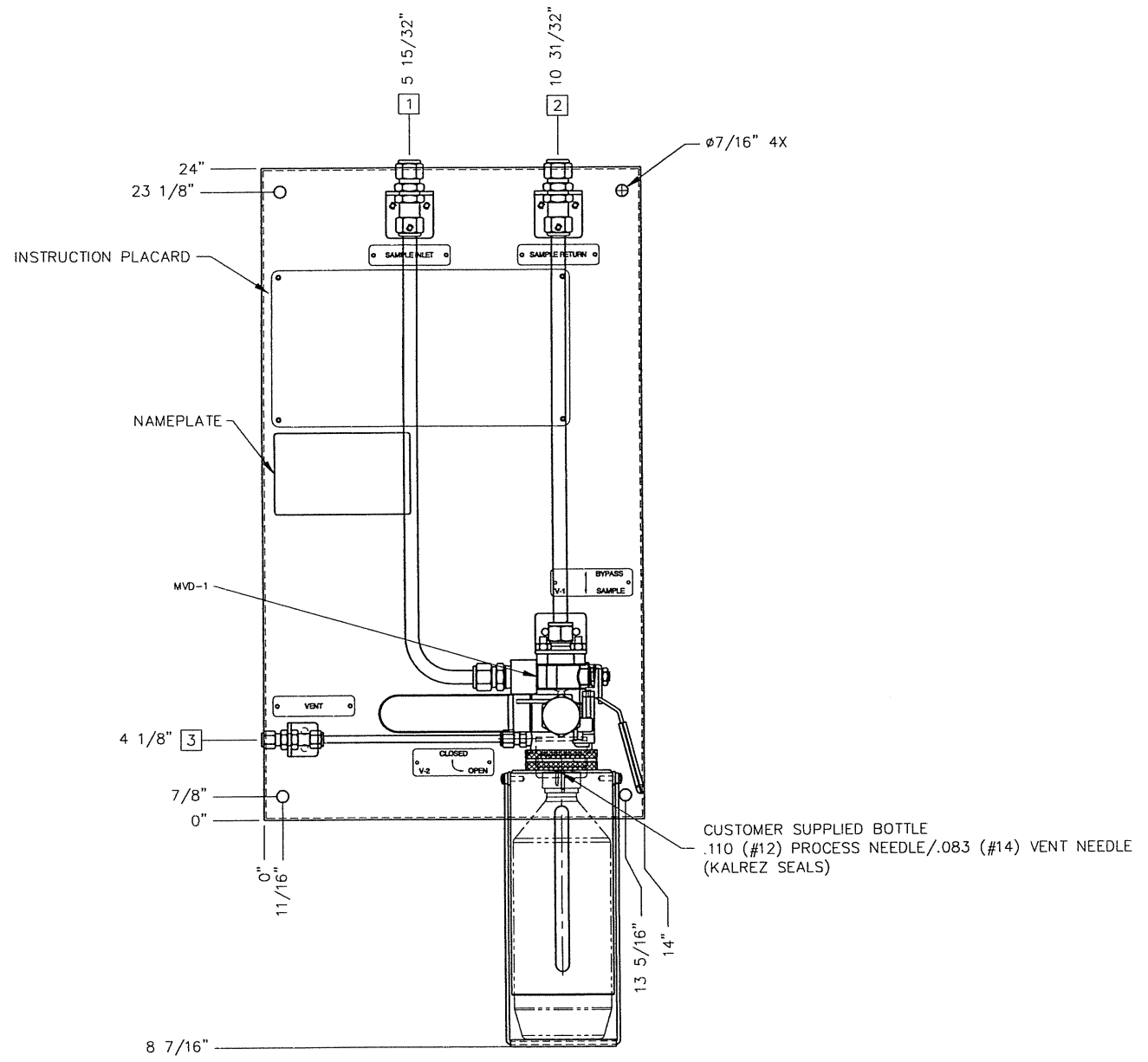
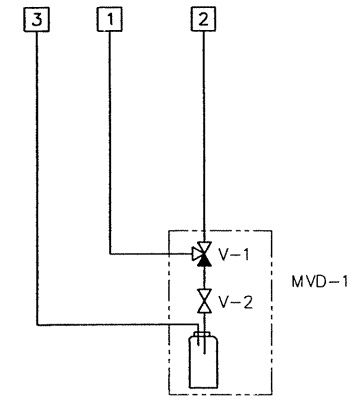
**WARNING**  
FOR YOUR SAFETY

IT IS SOLELY THE RESPONSIBILITY OF THE END USER, THROUGH THEIR OWN ANALYSIS AND TESTING, TO SELECT PRODUCTS AND MATERIALS SUITABLE FOR THEIR SPECIFIC APPLICATION REQUIREMENTS, ENSURE THEY ARE PROPERLY INSTALLED, SAFELY APPLIED, PROPERLY MAINTAINED, AND LIMIT THEIR USE TO THEIR INTENDED PURPOSE.

IMPROPER SELECTION, INSTALLATION, OR USE MAY RESULT IN PERSONAL INJURY OR PROPERTY DAMAGE.

THE PRODUCTS DESCRIBED HEREIN ARE SUBJECT TO LIMITED WARRANTIES AND DISCLAIMERS SET FORTH IN THE APPLICABLE PROPOSAL AND/OR PURCHASE AGREEMENT, AND SELLER HEREBY DISCLAIMS ALL OTHER WARRANTIES, INCLUDING ANY IMPLIED WARRANTIES OF MERCHANTABILITY OR FITNESS FOR A PARTICULAR PURPOSE.

FLOW DIAGRAM



SHEET 1 OF 1

REVISIONS

|   |  |             |  |             |  |
|---|--|-------------|--|-------------|--|
| NOTE:<br>THIS DOCUMENT IS CONFIDENTIAL AND CONTAINS INFORMATION WHICH IS PROPRIETARY TO SEC. IT IS PROVIDED IN CONFIDENCE AND UPON THE CONDITION THAT NEITHER IT NOR THE INFORMATION CONTAINED IN IT WILL BE COPIED, DISCLOSED, OR USED IN WHOLE OR IN PART WITHOUT THE PRIOR WRITTEN CONSENT OF SEC. | DO NOT SCALE DWG.  |             | <b>SENTRY EQUIPMENT CORP</b><br>OCONOMOWOC, WI 53066 USA |             |  |
|   | ALL DIMENSIONS IN INCHES UNLESS OTHERWISE SPECIFIED<br>TOLERANCES FOR ALL DIMENSIONS UNLESS OTHERWISE SPECIFIED: |             | LOW E SAMPLE PANEL<br>P&ID/GENERAL ARRANGEMENT           |             |  |
|   |  | MACH. PARTS | STRUCT.  |             |  |
|   | 1/X  | ± 1/8       | ± 1/2  |             |  |
| .X  | ± 0.1  | ± 0.3       |  |             |  |
| .XX   | ± 0.01   | ± 0.06      |  |             |  |
| .XXX  | ± 0.005  | ± 0.030     |  |             |  |
| ANG.  | ± 1/2'   | ± 1'        |  |             |  |
| REMOVE ALL BURRS AND SHARP EDGES UNLESS OTHERWISE NOTED   | FILENAME   | 03939A01    | DATE DRAWN   | 2/15/08 MJS |  |
|   | THIRD ANGLE PROJECTION   |             | DATE CHECKED   |             |  |
|   |  |             | DATE APPROVED  |             |  |
|   |  |             | DWG. NO.   | 10-03939A   |  |
|   |  |             | REVISION   | 0           |  |