

# Panda

## Rotary Lobe Vacuum Boosters WV 0250 - 1000 C



**Higher pumping speed** and improved ultimate pressure: Panda WV rotary lobe vacuum boosters increase the performance of your vacuum system, making it more efficient and economical. Available in six different sizes, Panda WV rotary lobe vacuum boosters can be designed to perfectly suit all low and medium vacuum applications in which the performance of the backing pump needs to be drastically increased or optimally adapted to the process. The WV 0250 C to WV 1000 C Panda models are the three smaller rotary lobe vacuum boosters in this series.

Panda WV rotary lobe vacuum boosters are the perfect booster pumps for all types of backing pumps. When used as a combination of backing pump and booster pump together, they are capable of increasing the pumping speed and ultimate pressure by a factor of 10.

Due to the integrated bypass valve, Panda WV rotary lobe vacuum boosters achieve a high pumping speed even on rough vacuum applications. It reliably protects pump and motor against overloading, and allows the Panda WV to be switched on together with the backing pump even at atmospheric pressure. A process-related, sudden pressure increase due to a greater gas flow can be easily pumped out by the bypass valve in continuous operation.

Panda WV rotary lobe vacuum boosters can be flanged directly onto the backing pump or at any other position on the system.



**Panda – the economical performance optimizer.**



# Panda

## Rotary Lobe Vacuum Boosters WV 0250 - 1000 C



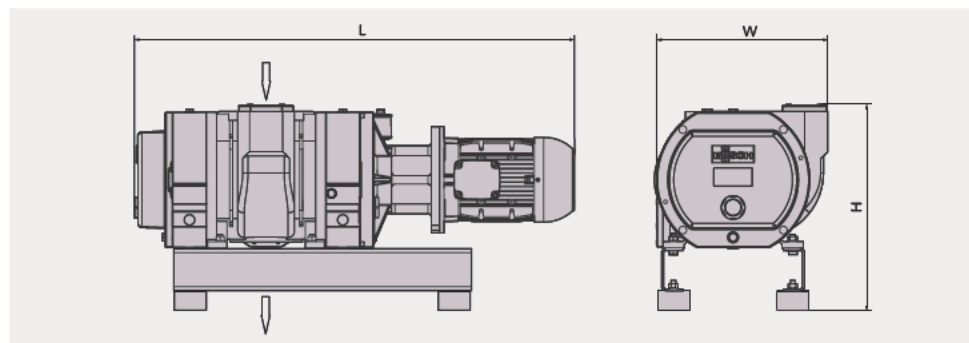
### Technical specifications

Within the housing of Panda WV rotary lobe vacuum boosters, two lobes rotate synchronously. Due to the special profile of the rotating lobes and their precise manufacturing, they do not come into contact with each other or the housing. This allows for pumping without any operating fluids. The synchronous rotation of the two lobes is driven by a pair of gear wheels located on the shaft ends in the gearbox, and separated from the compression chamber. The integrated bypass valve, which comes standard, enables operation around atmospheric pressure or at low vacuum without the need for a special controller. Rotary lobe vacuum boosters are driven by a directly flanged electric motor.

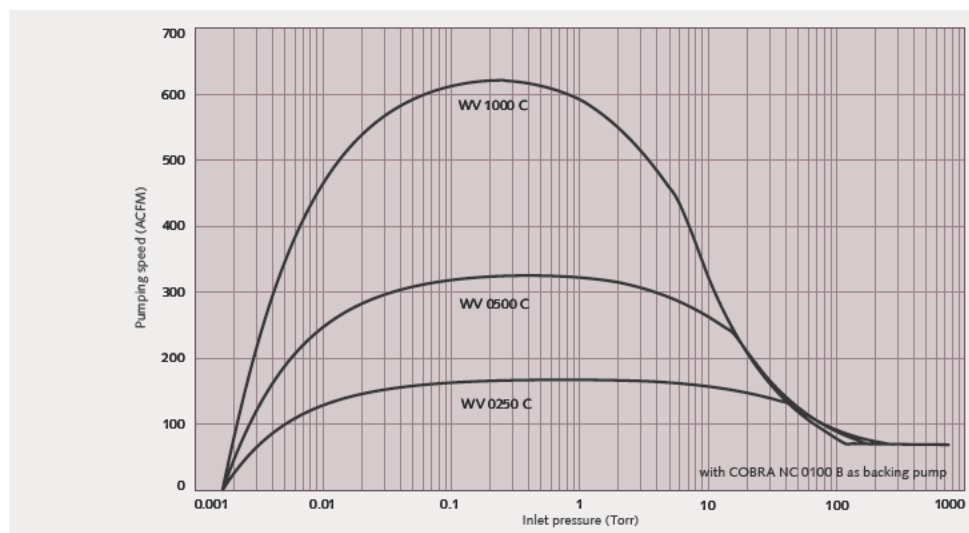
### Rotary lobe vacuum boosters from Busch

In addition to the Panda WV series, Busch also manufactures other rotary lobe vacuum boosters in a range of sizes and versions that are suitable for almost all applications. Contact a knowledgeable Busch application specialist for additional information.

Panda WV 0250 - 1000 C



Pumping speed Air at 70 °F. Tolerance: ± 10%



Technical Data		WV 0250 C	WV 0500 C	WV 1000 C
Nominal displacement	CFM	185	370	740
Maximum pumping speed	ACFM	167	325	621
Maximum pressure differential	Torr	40	40	32
Nominal motor rating	kW (HP)	1.2 (1.6)	3.0 (4.0)	4.8 (6.4)
Nominal motor speed	RPM	1800	3600	3600
Approximate weight	Lbs.	300	315	530
Dimensions (L x W x H)	inches	35 7/8 x 13 7/8 x 16 1/2	35 3/8 x 13 7/8 x 16 1/2	41 1/2 x 15 7/8 x 19
Gas inlet/outlet	ISO-F	DN 100 / DN 100	DN 100 / DN 100	DN 160 / DN 100

All performance data is based on ambient conditions of 14.7 PSIA and 70 °F, and has a tolerance of ± 10%.

### Busch LLC

516 Viking Drive | Virginia Beach, VA 23452 | Phone 757-463-7800 | marketing@buschusa.com | www.buschusa.com

Argentina Australia Austria Belgium Brazil Canada Chile China Czech Republic Denmark Finland France Germany Hungary India Ireland Israel Italy Japan Korea Malaysia Mexico New Zealand Netherlands Norway Poland Portugal Russia Singapore South Africa Spain Sweden Switzerland Taiwan Thailand Turkey United Arab Emirates United Kingdom USA

Technical data is subject to change. Created in Germany 05/11