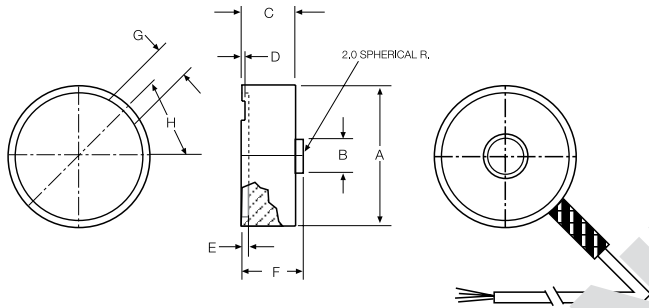





Picture is a representation of actual product

RLS1000 only



SPECIFICATIONS:

Full Scale Output:	3.0 mV/V nominal
Bridge Resistance:	350 ohms, nominal
Material/Finish:	Stainless steel
Temperature:	Compensated range 0°F to 150°F/-18°C to 65°C
Safe Overload:	200% Full scale
Rated Excitation:	15V DC
Nonlinearity:	0.05% Full scale
Hysteresis:	0.05% Full scale
Seal Type:	Environmentally sealed
Cable Length:	10'/4.5 m
Cable Color Code:	Red..... + Excitation Black..... - Excitation Green..... + Signal White..... - Signal
Warranty:	One-year limited warranty
Approvals:	

DIMENSIONS

Rated Capacity	A	B	C	D	E	F	G	H
lb/inches								
500-5000	1.25	.30	.485	.032	.062	.52	.312	45°
kg/mm								
226.8-2268.0	31.7	7.6	12.3	.812	1.5	13.2	7.9	45°

RLS1000 Order Information

Load Rating	Part#	Price
500 lb (226.8 kg)	42150	Consult
1000 lb (453.6 kg)	42151	Consult
2000 lb (907.2 kg)	42152	Consult
3000 lb (1360.8 kg)	42153	Consult
4000 lb (1814.4 kg)	42154	Consult
5000 lb (2268.0 kg)	42155	Consult