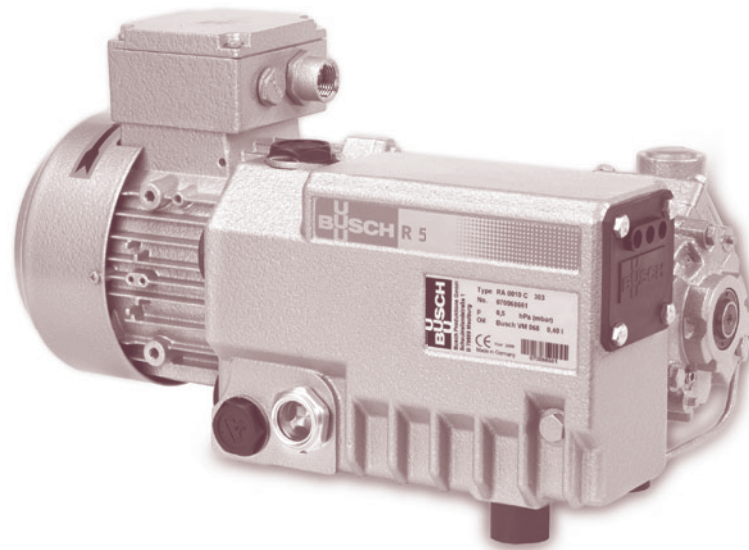


R 5 0010-0021 C



RA 0010 C

Description

Modular designed Busch R 5 oil sealed rotary vane vacuum pumps are single stage, air-cooled, and direct driven. This oil-recirculating design is one of the simplest and most reliable vacuum pumps available on the world market.

These rugged pumps are used in a variety of industries such as packaging and food processing, rubber molding, thermoforming, printed circuit board testing, hospitals, laboratories, robotics, vacuum lamination, printing, and many others.

R 5 Advantages

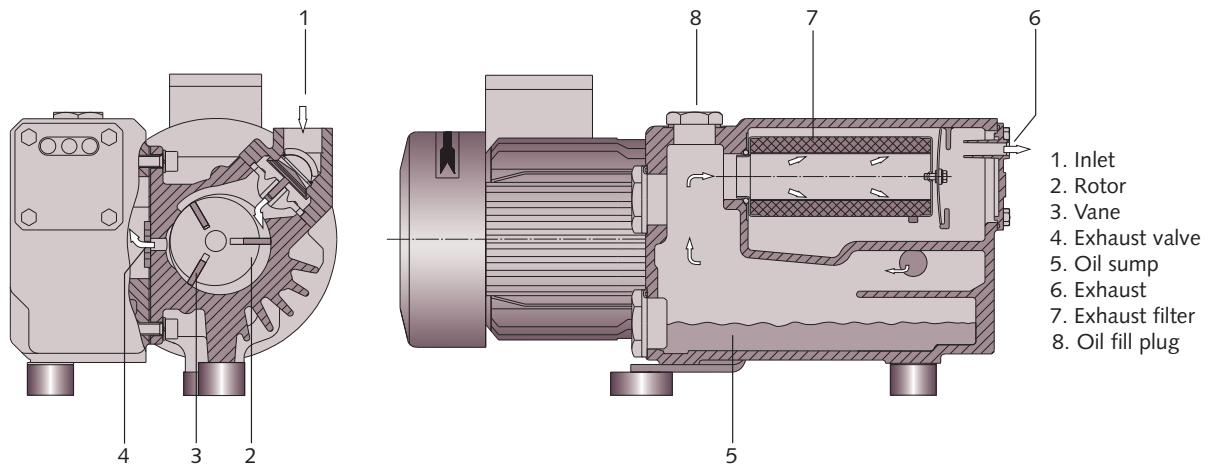
- Compact, simple design for easy installation and low maintenance
- Air-cooled, requiring no water
- Direct driven, eliminating belts and gears to loosen or wear
- Oil mist eliminator
- Quiet operation
- Easy exhaust filter change

Standard Equipment

- IEC motor
- Anti-suckback valve
- Built-in exhaust filter
- Wire mesh inlet screen
- Non-metallic, non-asbestos vanes
- Vibration isolators
- Oil level sight glass

Rotary vane vacuum pumps

Operating Principle



Operating Principle

Rotation of the pump rotor, which is mounted eccentrically in the pump cylinder, traps entering vapor between rotor vane segments. As rotation continues, vapor is compressed and discharged into the exhaust box.

Vapors then pass through several stages of internal oil and mist eliminators to remove lubricating oil

from the exhaust. Separated oil is returned to the oil reservoir. An internal anti-suckback valve prevents the pump from rotating backwards.

A built-in gas ballast permits pumping with high water vapor loads and provides oil drying for maximum performance.

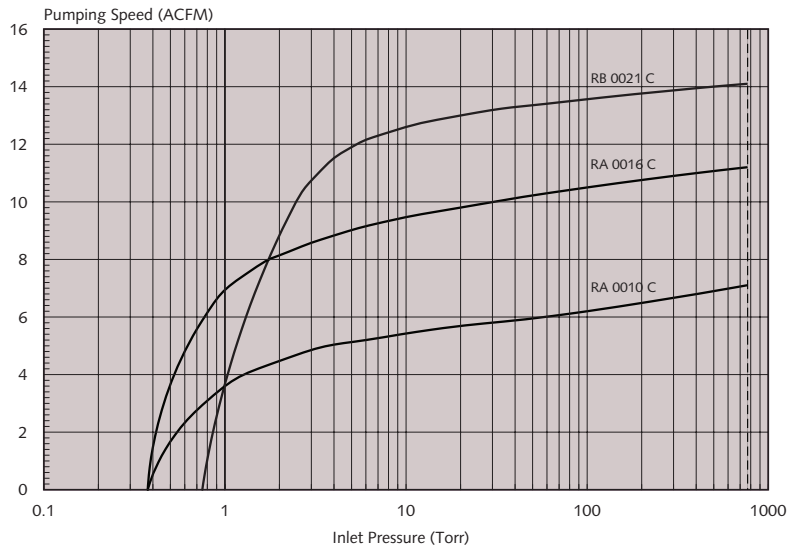
Applications

- Vacuum packaging
- Food technology
- Woodworking
- Pneumatic conveying
- Transport and lifting systems
- Plastics industry



Technical Data

Pumping Speed vs. Inlet Pressure



Technical Data		R 5 0010	R 5 0016	R 5 0021
Nominal pumping speed	ACFM	7.1	11.2	14.1
End Vacuum (RA)	Torr	.375	.375	–
End vacuum (RB)	Torr	–	–	.75
End vacuum (RC)	Torr	15	15	15
Sound level rating*	dBA	52	55	66
Motor size for 1 phase	KW (HP)	.45 (.60)	.75 (1.0)	.9 (1.2)
Motor size for 3 phase	KW (HP)	.75 (1.0)	.75 (1.0)	.75 (1.0)
Motor rotational speed	RPM	1800	1800	3600
Oil capacity (approx.)	Qts	.42	.42	.48
Weight (approx.)	Lbs.	42	42	44

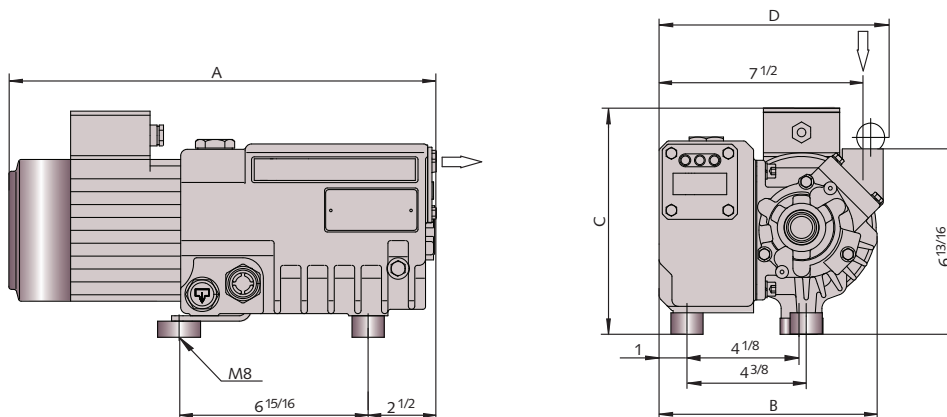
*DIN EN ISO 2151
Performance data based on ambient conditions of 14.7 PSIA and 70 degrees Fahrenheit, and have a tolerance of +/-10%.



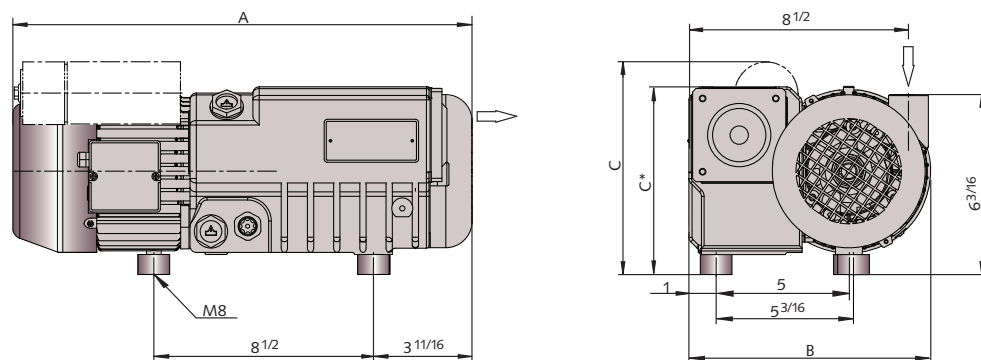
CHAMBER 1/239.3498

Dimensions

R 5 0010-0016



R 5 0021



Dimensions	A	A*	B	B*	C	C*	D	Inlet (pipe thread)
R 5 0010 C	15 ^{11/16}	16 ^{5/8}	8	8 ^{3/8}	9 ^{5/8}	9 ^{1/4}	9 ^{1/2}	3/4
R 5 0016 C	16 ^{5/8}	16 ^{5/8}	8 ^{3/8}	8 ^{3/8}	10	9 ^{1/4}	9 ^{7/8}	3/4
R 5 0021 C	17 ^{1/4}	17	9 ^{1/4}	9 ^{3/16}	8 ^{1/4}	7 ^{1/8}	-	3/4

* Denotes 3-phase motor
All dimensions in inches unless otherwise noted.



Busch - all over the world in industry

ISO 9001 Registered Company

**Busch LLC 516 Viking Drive Virginia Beach, VA 23452
Phone (757) 463-7800 FAX (757) 463-7407**

**www.buschusa.com
1-800-USA-PUMP**

Amsterdam Auckland Bangkok Barcelona Basel Birmingham Brno Brussels Budapest Buenos Aires Copenhagen Dubai Dublin Gothenborg Helsinki Istanbul Johannesburg Kuala Lumpur Maulburg Melbourne Milan Monterrey Montreal Moscow New York Oslo Paris Porto Pune Santiago de Chile São Paulo Seoul Shanghai Singapore Taipei