

Seco

Rotary Vane Vacuum Pumps SV 1010 - 1040 C



Compact, reliable and extremely powerful – these are some of the features of Seco dry-running rotary vane vacuum pumps from Busch. Due to their lubricant-free vacuum generation, they can be used in many industrial applications where quick and reliable vacuum is required.

Application oriented

Seco rotary vane vacuum pumps are characterized by oil-free vacuum and a high level of operational reliability. This is ensured by robust construction, lifetime-lubricated bearings and hard-wearing and self-lubricating vanes made from special graphite. The compact design of Seco vacuum pumps allows them to be fitted or installed in any location. The energy-efficient motor ensures economical operation.

Seco rotary vane vacuum pumps are perfectly suited for use in pick and place applications for clamping and holding, the packaging industry, printing markets and many other industrial applications.

Service friendly

Maintenance can be easily carried out by the operator. Aside from regular maintenance checks or vane changes and filter replacements at recommended service intervals, no additional maintenance is required.



**Seco – The dry solution.
Compact and powerful.**



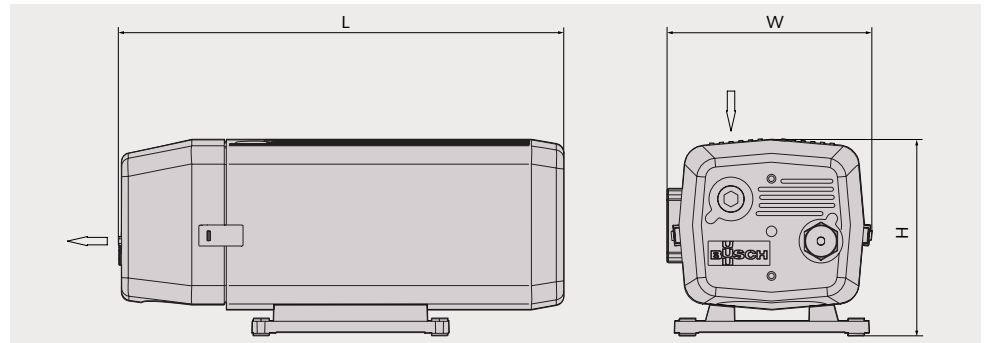
Technical specifications

Seco vacuum pumps work in accordance with proven rotary vane technology. Due to self-lubricating graphite vanes, no operating fluid is necessary. The compression occurs as part of a completely dry process. A standardized, integrated filter protects the vacuum pump from contamination. A consistently high vacuum level in continuous operation is guaranteed through well-coordinated materials, special graphite vanes in the compression chamber, effective heat discharge, and state-of-the-art and precise manufacturing. A non-return valve (optional) prevents air from going back in to the vacuum chamber when the vacuum pump is switched off. The unit is driven by an integrated motor, which has a high level of efficiency.

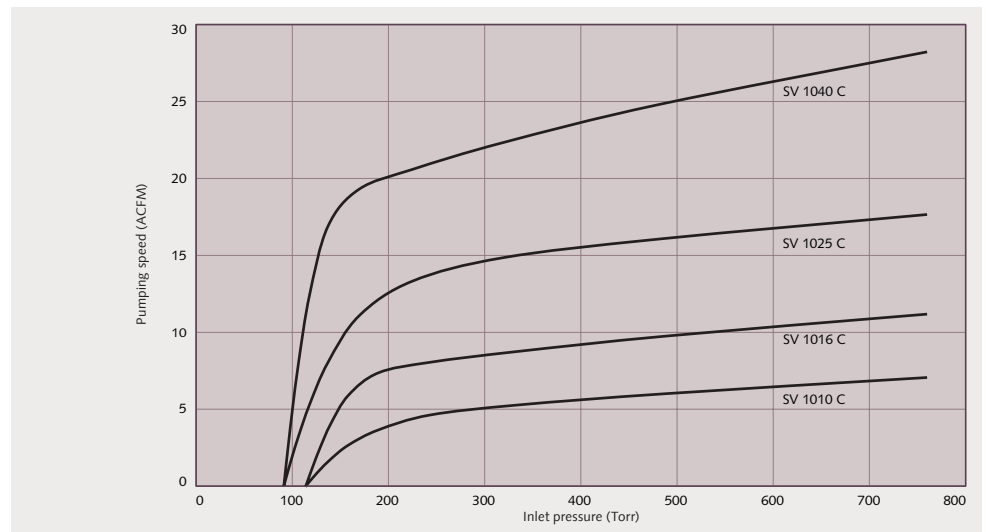
Accessories/technical options

- Inlet filter
- Vacuum regulation unit
- Non-return valve (inlet side)
- Hose barb
- Installation elements

Seco SV 1010 - 1040 C



Pumping speed Air at 70 °F. Tolerance: ± 10%



Technical Data		SV 1010 C	SV 1016 C	SV 1025 C	SV 1040 C
Nominal pumping speed	ACFM	7.0	11.2	17.7	28.3
Maximum pressure	"HgV	25 ½	25 ½	25 ½	25 ½
Nominal motor rating	kW (HP)	0.37 (0.5)	0.55 (0.75)	0.92 (1.2)	1.25 (1.7)
Nominal motor speed	RPM	1800	1800	1800	1800
Sound level (ISO 2151)	dB(A)	62	63	66	70
Approximate weight	Lbs.	42	46	57	84
Dimensions (L x W x H)	inches	16 ¼ x 9 ⅝ x 9 ⅛	17 ⅛ x 9 ⅝ x 9 ⅛	19 ½ x 9 ½ x 11	21 ⅞ x 9 ½ x 11
Gas inlet / outlet	NPT	½" / ½"	½" / ½"	¾" / ¾"	¾" / ¾"

Busch LLC

516 Viking Drive | Virginia Beach, VA 23452 | Phone 757-463-7800 | marketing@buschusa.com | www.buschusa.com