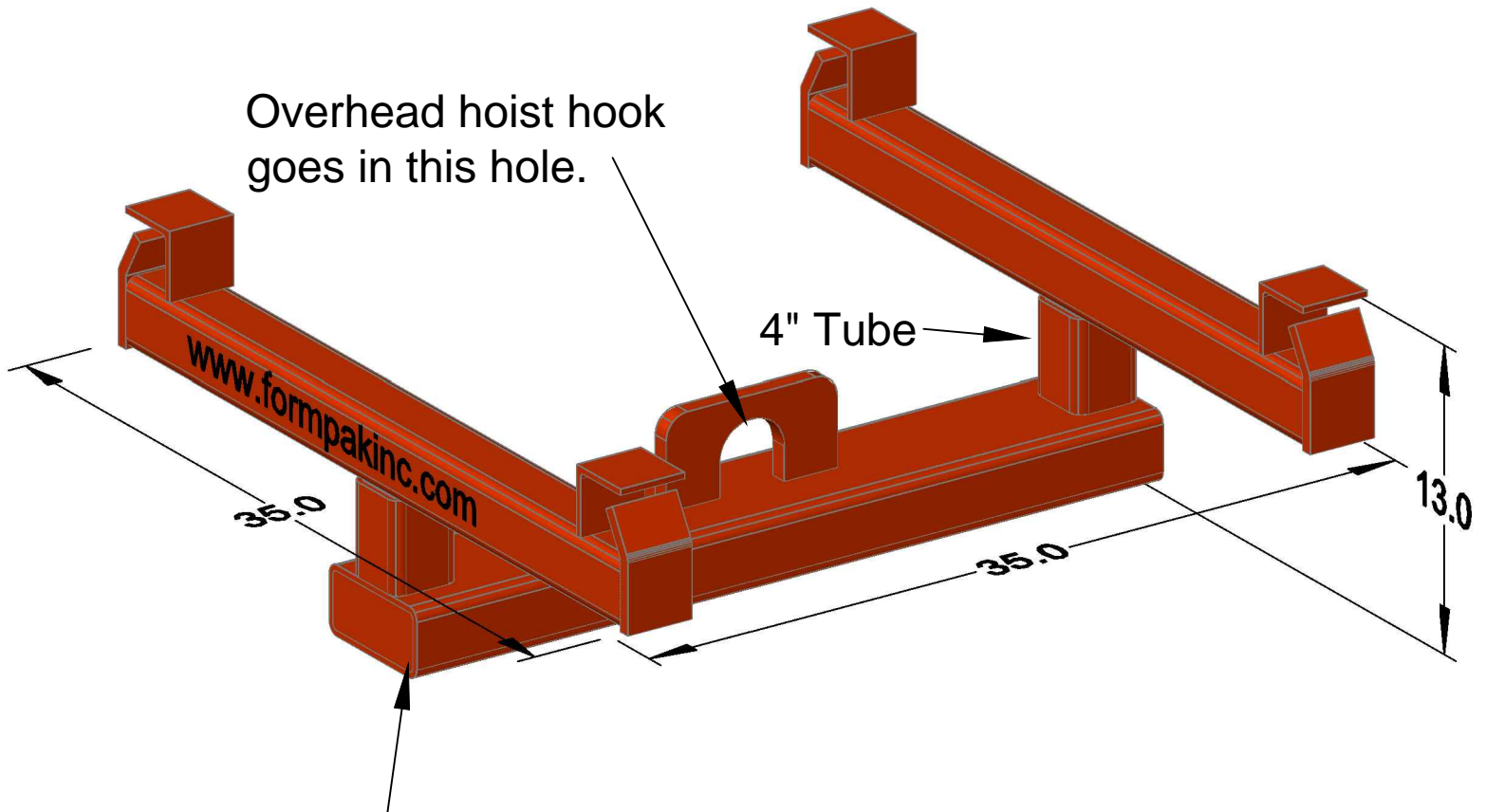


FormPak 100-CA-LH Crane Adapter

This device can easily lift the industry standard two metric ton (about 4400 lbs) heavy bulk bag. It can raise a bag 4" higher than our standard crane adapter in limited space applications. Sturdy bag holders mean bag straps are easily placed and removed, and stay put while in use.



3x6 steel backbone, tube walls 1/4" thick, welded construction.

FormPak, Inc. Meeting Your Materials Handling Needs Since 1968