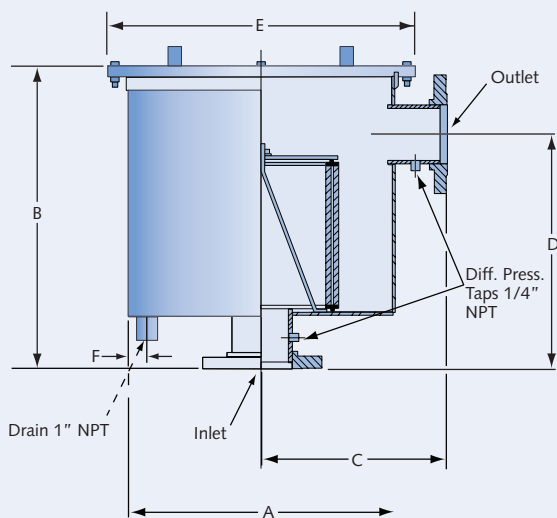


Exhaust Mist Eliminators

Busch Exhaust Mist Eliminators remove entrained sealant from the exhaust of Once-Through-Sealing vacuum pumps. Using coalescing borosilicate glass elements mounted in a carbon steel housing, the Busch Exhaust Mist Eliminator delivers sealant removal rates of 99.9% or better with minimal pressure drop.

Custom units can be designed by Busch Engineering to yield recovered process vapors at practically any desired purity level.



Technical Data				
Huckepack	429/433	437	441	445
Model	530.033.01	530.034.01	530.035.01	530.036.01
Conn. Size	3"	3"	4"	6"
S.C.F.M.	250	375	500	900
A	14 ¹ / ₈	17 ¹ / ₈	20 ¹ / ₈	25 ¹ / ₈
B	18	26	23	29 ³ / ₄
C	11	12 ⁵ / ₈	14	16 ¹ / ₂
D	13 ³ / ₄	21 ¹ / ₄	17 ³ / ₄	23 ³ / ₄
E	17 ¹ / ₆	20 ³ / ₁₆	23 ³ / ₁₆	28 ³ / ₁₆
F	1	1 ³ / ₈	1 ³ / ₈	2 ⁵ / ₁₆
Element	532.022.01	532.005.01	532.0015.01	532.023.01
Weight (LBS)	60	100	115	200

Features:

- Stainless steel, PTFE-lined, or Kynar-lined housings - optional
- Standard elements - yield minimum 99.9% sealant removal rate
- Low pressure drop - less than 1 psi
- Operates for one year on one replaceable cartridge under normal operating conditions
- Available in various sizes and materials to meet process load requirements.
- Buna Lid gasket is standard - other materials optional

Notes:

1. Material: Housing-carbon steel
Element-media borosilicate glass
End Seals - molded P.V.C.
Lid Gasket - Buna Rubber
2. Flanges are 150# raised faced per A.N.S.I. B16.5
3. Pressure rating = 15 psig.

