

## Feige Pallet Filling Station – Type 16



### Standard Features

- Electro-pneumatic control mounted at the filling station
- Self-optimizing filling program
- Printer/EDP interface
- Below surface filling (for foaming and fuming products)
- Above surface filling (for non-hazardous, non-foaming products)
- Removable lance allows continued operation during cleaning process
- Two speed, linear actuated valve
- Fail safe spring return filling valve
- Aseptic, drip proof valve
- Self-adjusting PTFE (Teflon®) valve seal
- Pneumatic linear drive lance eliminates grease slinging jack screw
- Intrinsically safe, internally lubricated lance assembly
- Manually position filling valve to empty containers arranged on a pallet or a tote bin
- Automatic filling
- 920i® based control system
- Allen-Bradley PLC interface
- Hydrostatically balanced valve so its closing function is independent of pressure

*Teflon is a registered trademark of E.I. du Pont de Nemours and Company*

### Specifications

#### PALLET SIZE:

Up to 1,200 x 1,200 mm

#### WEIGHING RANGE RESOLUTION:

50 kg to 600 kg / 200 g

>600 kg to 1,500 kg / 500 g  
(2 x 300 d)

#### NOMINAL OUTPUT:

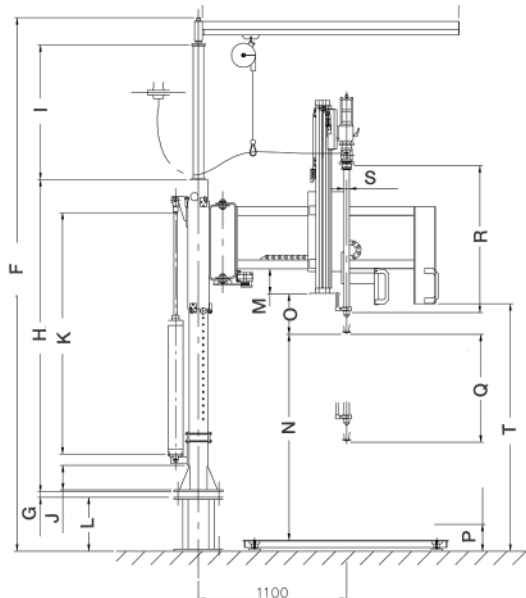
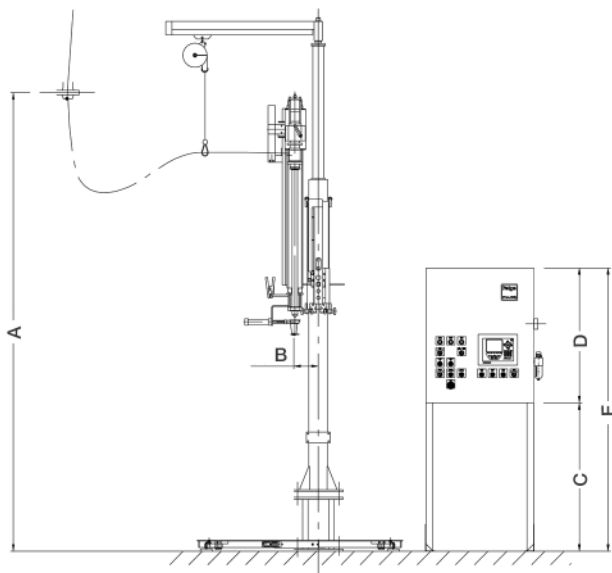
Approximately 60 containers/drums per hour depending on container size, product pressure, viscosity, foaming

#### WEIGHT:

Approximately 600 kg  
(1,322 lbs)

#### DIMENSIONS

|                         |                        |
|-------------------------|------------------------|
| A = 134.0" (3,403.6 mm) | K = 70.5" (1,790.7 mm) |
| B = 7.25" (184.15 mm)   | L = 15.5" (393.7 mm)   |
| C = 43.0" (1,092.2 mm)  | M = 7.25" (184.15 mm)  |
| D = 39.0" (990.6 mm)    | N = 60.0" (1,524 mm)   |
| E = 83.0" (2,108.2 mm)  | O = 11.75" (298.45 mm) |
| F = 156.0" (3,962.4 mm) | P = 7.75" (196.85 mm)  |
| G = 1.5" (38.1 mm)      | Q = 31.0" (787.4 mm)   |
| H = 91.0" (2311.4 mm)   | R = 43.0" (1,092.2 mm) |
| I = 39.0" (990.6 mm)    | S = 1.6" Ø (40.64 mm)  |
| J = 7.5" (190.5 mm)     | T = 72.2" (1,833.8 mm) |



# Feige Pallet Filling Station

## DESCRIPTION

## PRICE

Pallet Filling Station – Type 16 .....Starting at \$37,995 – Consult factory for quotation

### Consult Factory For These Options

- Pneumatic valve positioner for products with various viscosity ranges
- Pneumatic drip scoop
- Gas hood
- Hazardous area protection
- Interlocking “smart” grounding clamp; “No ground - No fill” for steel containers; for use in hazardous areas
- Optical overflow sensor
- Nitrogen purging system
- Remote cleaning funnel for filling valves
- Filling valves in Teflon®, Hastelloy®, titanium or nickel
- Data logging / label printing
- Automatic bunghole locator (vision based)
- Teach-in system via joystick or fill by template for drums/containers arranged on a pallet for automatic filling from one container to the next
- Automatic opening and closing of drums
- Automatic infeed and outfeed conveyor systems
- Infeed and outfeed storage systems
- Palletizing

*Teflon is a registered trademark of E.I. du Pont de Nemours and Company  
Hastelloy is a registered trademark of Haynes International, Inc.*